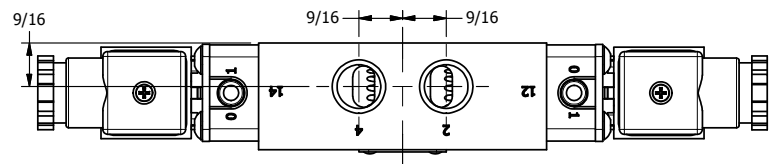
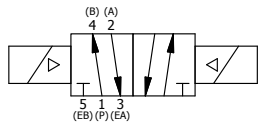
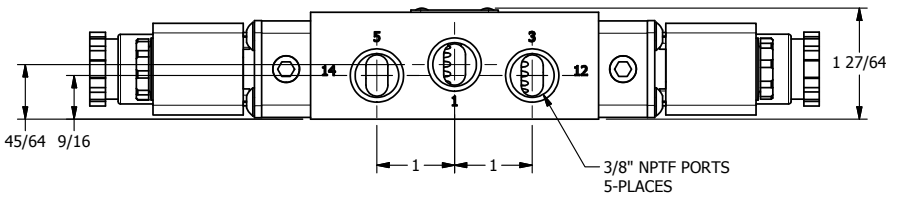
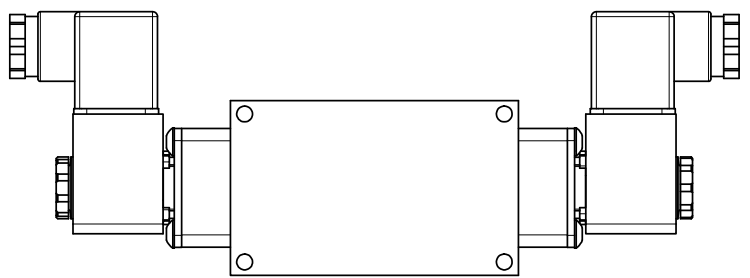
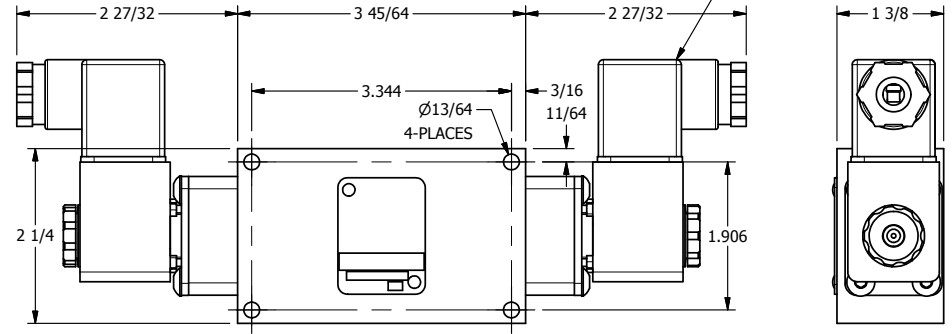


4 3 2 1



3/8" CORD GRIP DIN CAP INCLUDED  
FORM A, ACC. TO EN 175301-803,  
ISO 4400



4 3 2

**AAA**  
PRODUCTS  
INTERNATIONAL

**AAA PRODUCTS  
INTERNATIONAL**  
7114 Harry Hines Blvd  
Dallas, TX 75235

TITLE **3/8" SIDE PORT, DBL SOL, 2 POS,  
FRICTION POS, SOL RTRN,  
INTRINSICALLY SAFE, 24VDC**

DRAWING NO.:  
**DIM\_ESS3A**

THE INFORMATION CONTAINED WITHIN THIS DOCUMENT IS PROPRIETARY TO AAA PRODUCTS AND MAY NOT BE DISCLOSED WITHOUT PRIOR WRITTEN CONSENT