

4

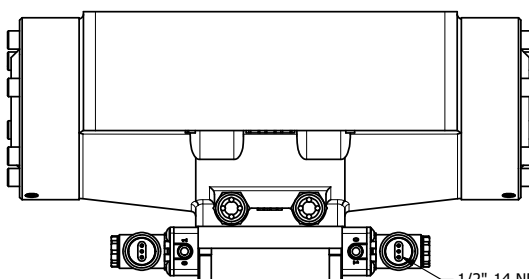
3

2

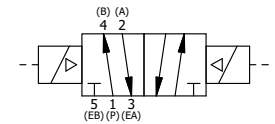
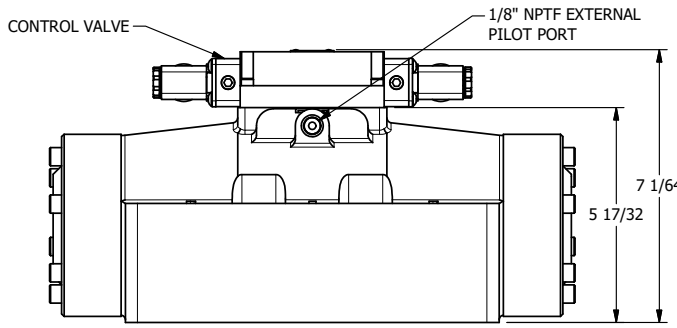
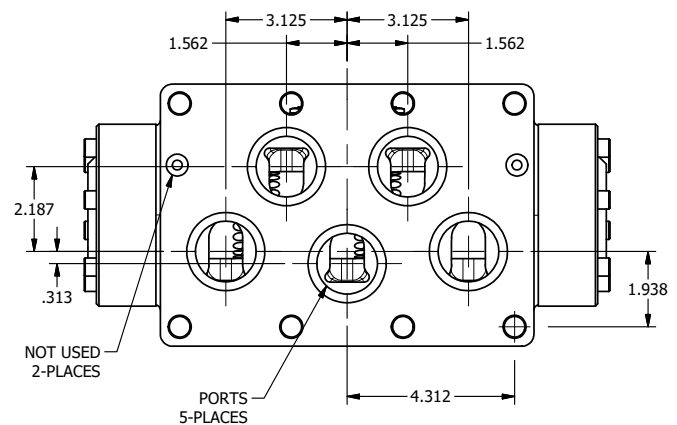
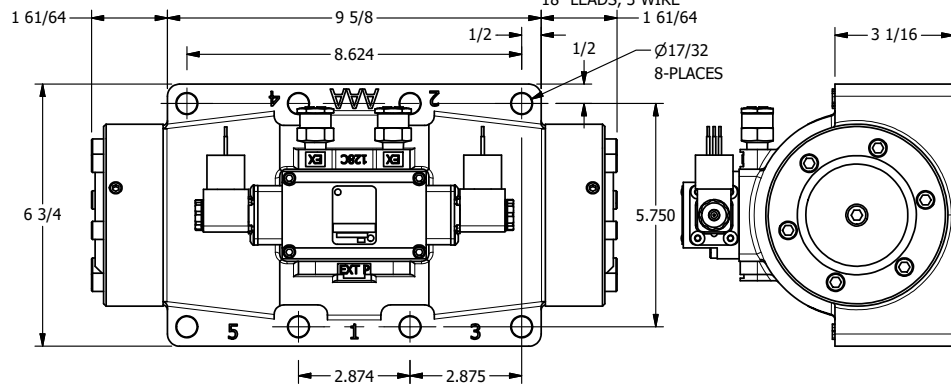
1

B

B



1/2"-14 NPT CONDUIT CONNECTION
18" LEADS, 3 WIRE



A

A

4

3

2

1

AAA
PRODUCTS
INTERNATIONAL

AAA PRODUCTS INTERNATIONAL
7114 Harry Hines Blvd
Dallas, TX 75235

TITLE: 2" SUBPLATE, DBL SOL, 2 POS,
FRICTION POS, SOL RTRN,
MOLD-OVER, EXT PILOT

DRAWING NO.:
DIM_ESS16PJZ

THE INFORMATION CONTAINED WITHIN THIS DOCUMENT IS PROPRIETARY TO AAA PRODUCTS AND MAY NOT BE DISCLOSED WITHOUT PRIOR WRITTEN CONSENT