

4

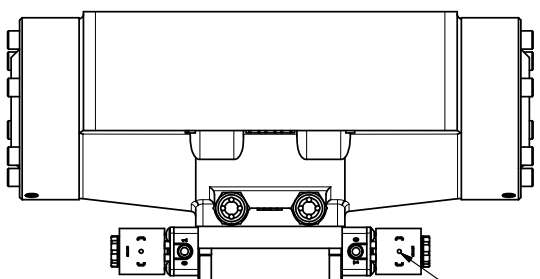
3

2

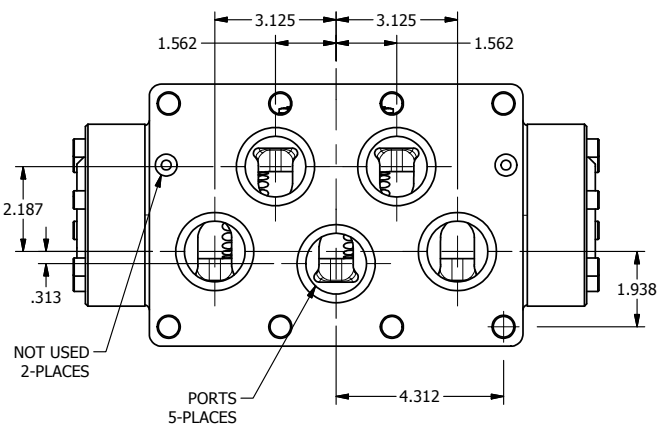
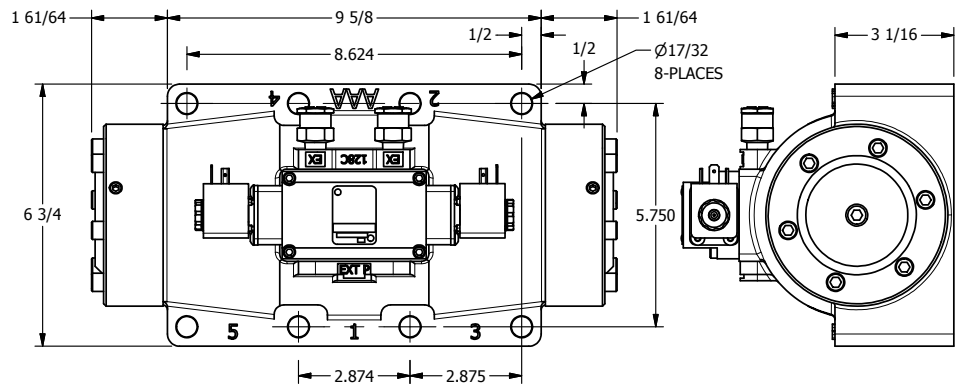
1

B

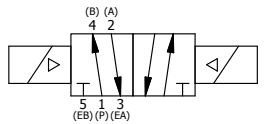
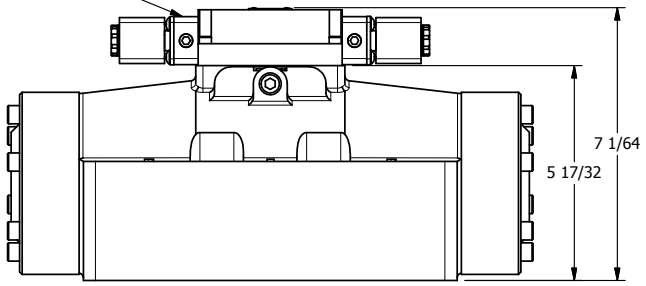
B



ISO 4400 DIN
CONNECTOR



CONTROL VALVE



A

A

4

3

2

1

AAA
PRODUCTS
INTERNATIONAL
7114 Harry Hines Blvd
Dallas, TX 75235

TITLE: 2" SUBPLATE, DBL SOL, 2 POS,
FRICTION POS, SOL RTRN,
HIGH TEMP

DRAWING NO.:
DIM_ESS16PH

THE INFORMATION CONTAINED WITHIN THIS DOCUMENT IS PROPRIETARY TO AAA PRODUCTS AND MAY NOT BE DISCLOSED WITHOUT PRIOR WRITTEN CONSENT