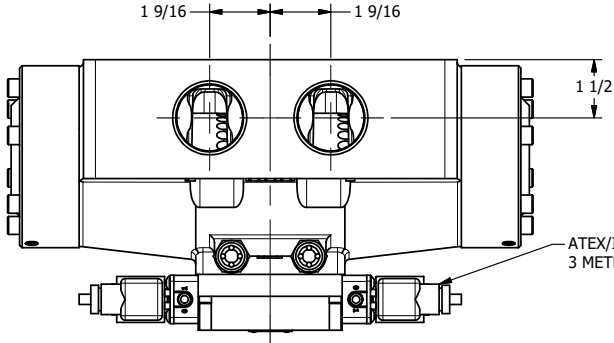


4

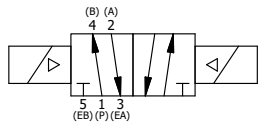
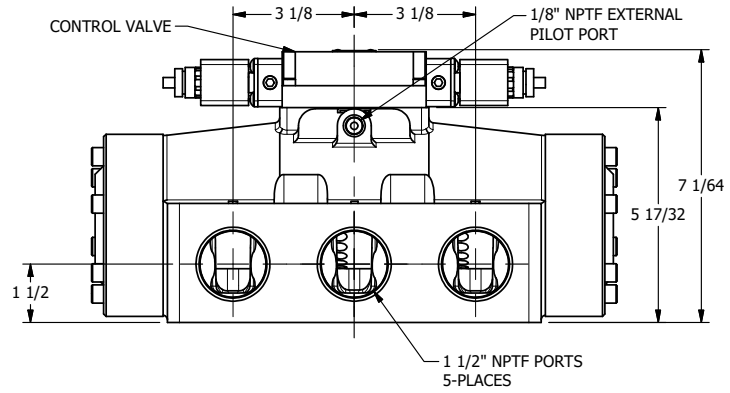
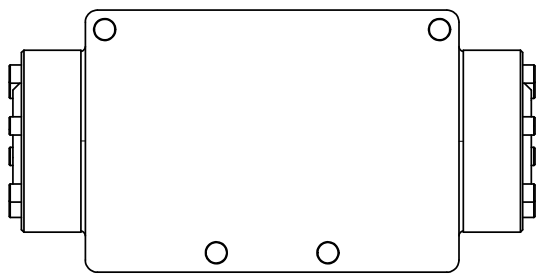
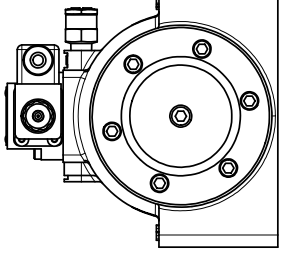
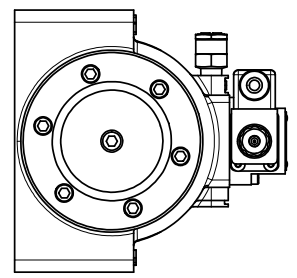
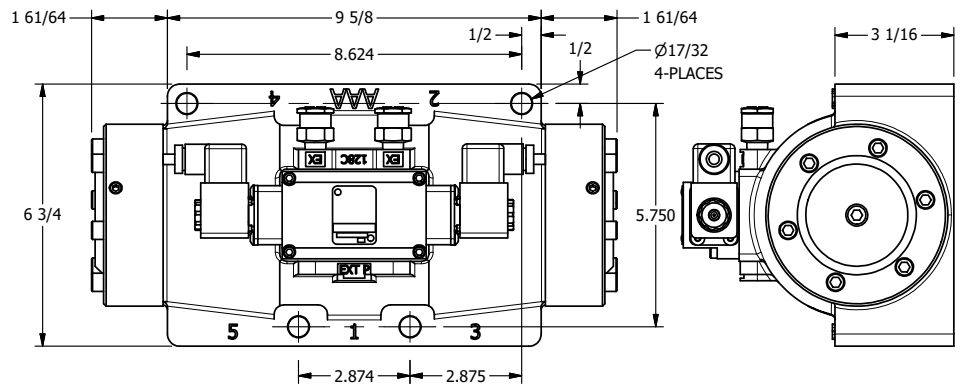
3

2

1



ATEX/IEC MOLDED COIL
3 METERS OF 3 WIRE CORD



AAA
PRODUCTS
INTERNATIONAL

**AAA PRODUCTS
INTERNATIONAL**
7114 Harry Hines Blvd
Dallas, TX 75235

TITLE: 1 1/2" SIDE PORT, DBL SOL, 2 POS,
FRICTION POS, SOL RTRN, ATEX,
EXT PILOT

DRAWING NO.:
DIM_ESS12TZ

4

3

2

1

THE INFORMATION CONTAINED WITHIN THIS DOCUMENT IS PROPRIETARY TO AAA PRODUCTS AND MAY NOT BE DISCLOSED WITHOUT PRIOR WRITTEN CONSENT