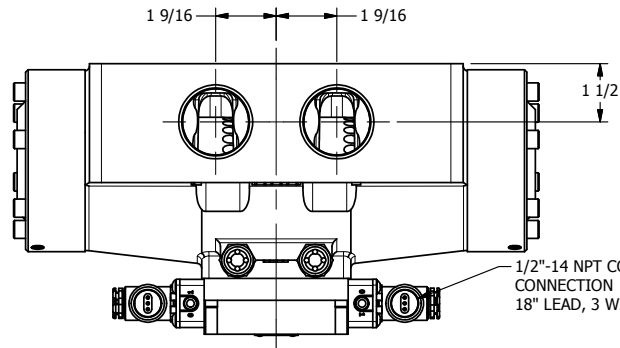


4

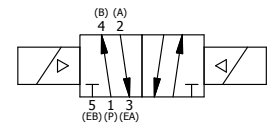
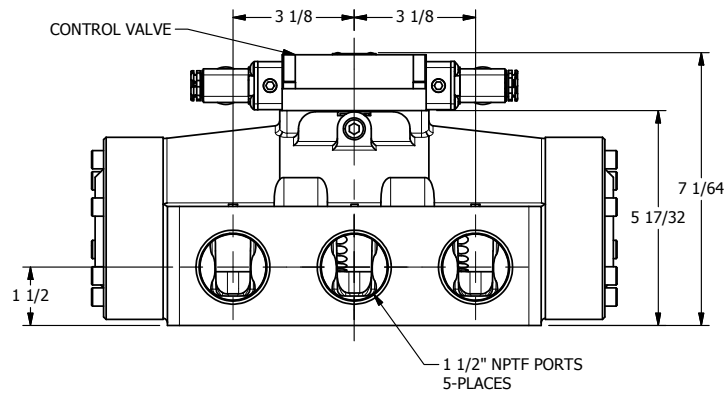
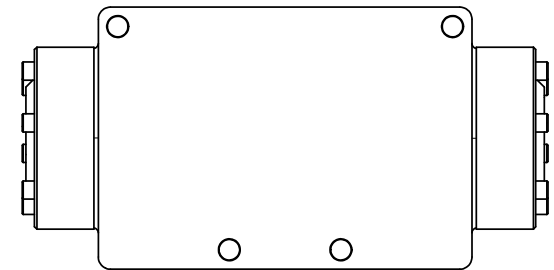
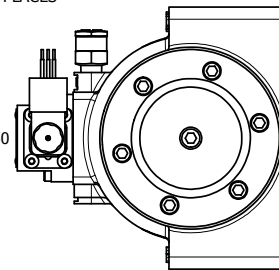
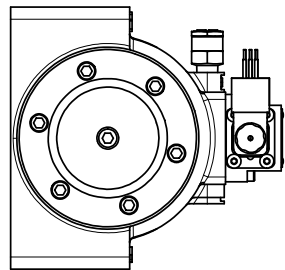
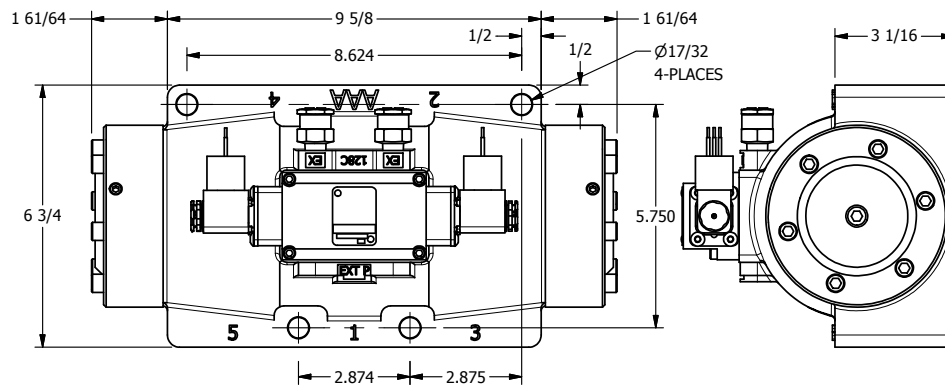
3

2

1



1/2"-14 NPT CONDUIT CONNECTION  
18" LEAD, 3 WIRE



4

3

2

1

**AAA**  
PRODUCTS  
INTERNATIONAL

**AAA PRODUCTS  
INTERNATIONAL**  
7114 Harry Hines Blvd  
Dallas, TX 75235

TITLE: 1 1/2" SIDE PORT, DBL SOL, 2 POS,  
FRICTION POS, SOL RTRN,  
MOLD-OVER, SIDE VENT

DRAWING NO.:  
DIM\_ESS12JC

THE INFORMATION CONTAINED WITHIN THIS DOCUMENT IS PROPRIETARY TO AAA PRODUCTS AND MAY NOT BE DISCLOSED WITHOUT PRIOR WRITTEN CONSENT