

4

3

2

1

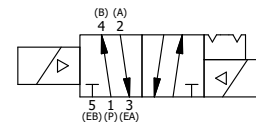
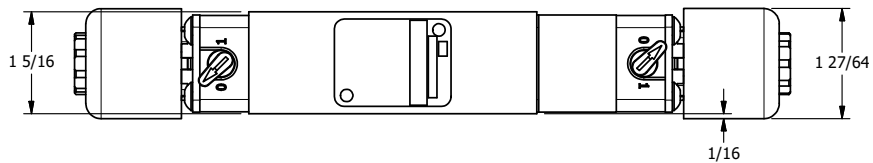
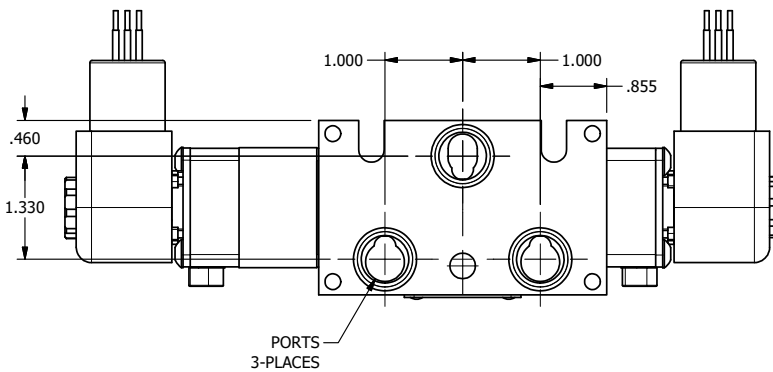
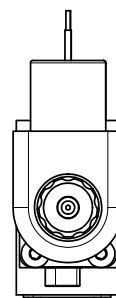
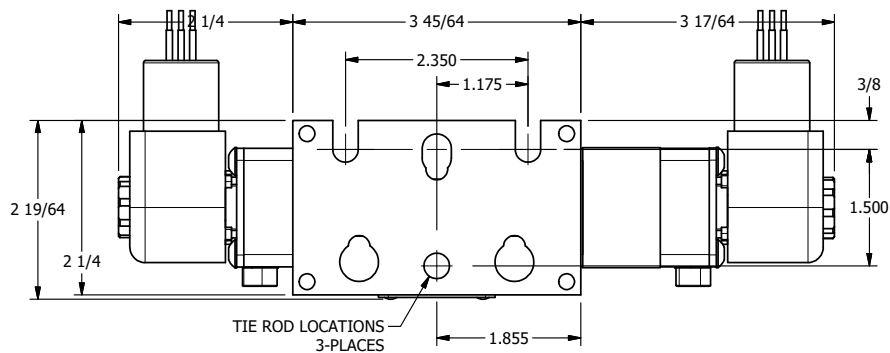
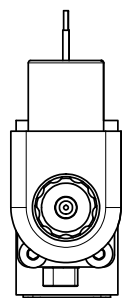
9/16

9/16

9/16

1/2"-14 NPT CONDUIT CONNECTION
18" LEAD, 3 WIRE

1/4" NPTF PORTS
2-PLACES



TITLE: 1/4" STACK, DBL SOL, 2 POS,
DETENT, EXPL PROOF,
LKNG OVRD

DRAWING NO.:
DIM_EBSS2XOQ

THE INFORMATION CONTAINED WITHIN THIS DOCUMENT IS PROPRIETARY TO AAA PRODUCTS AND MAY NOT BE DISCLOSED WITHOUT PRIOR WRITTEN CONSENT

4

3

2

1

