

4

3

2

1

9/16

9/16

9/16

ISO 4400 DIN CONNECTOR

1/4" NPTF PORTS
2-PLACES

B

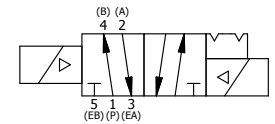
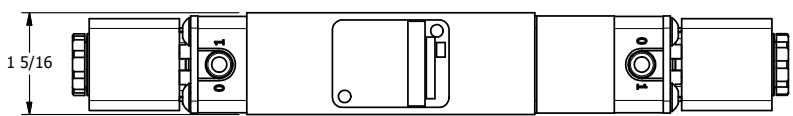
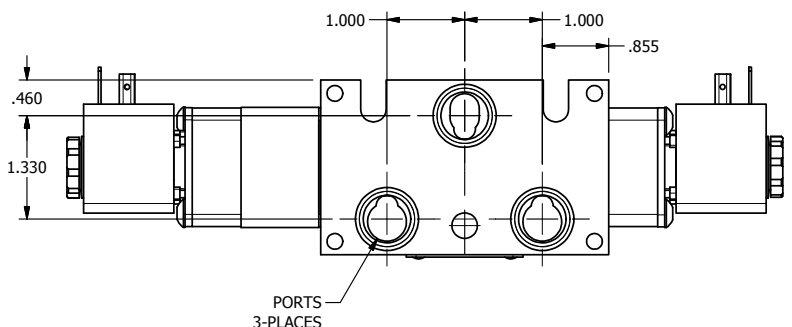
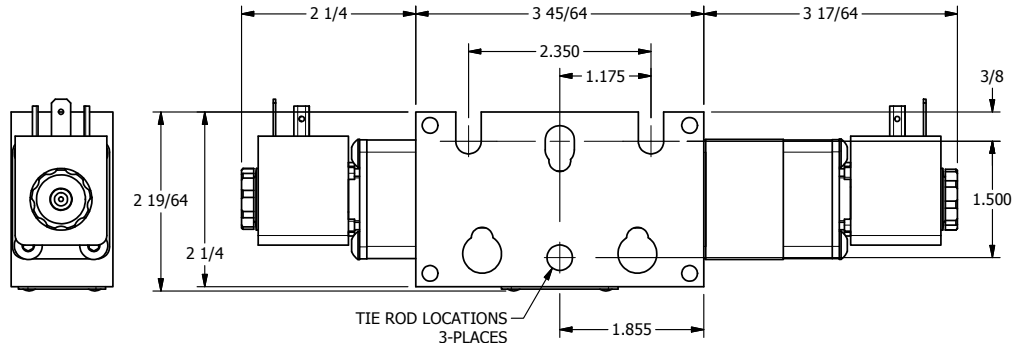
B

A

A

A

A



AAA
PRODUCTS
INTERNATIONAL

**AAA PRODUCTS
INTERNATIONAL**
7114 Harry Hines Blvd
Dallas, TX 75235

TITLE: 1/4" STACK, DBL SOL, 2 POS,
DETENT, SOL RTRN, HIGH TEMP COIL

DRAWING NO.:
DIM_EBSS2HQ

4

3

2

1



THE INFORMATION CONTAINED WITHIN THIS DOCUMENT IS PROPRIETARY TO AAA PRODUCTS AND MAY NOT BE DISCLOSED WITHOUT PRIOR WRITTEN CONSENT