

4

3

2

1

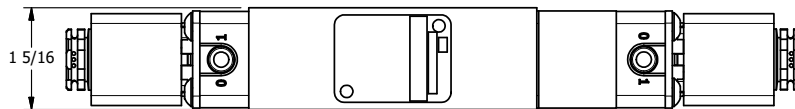
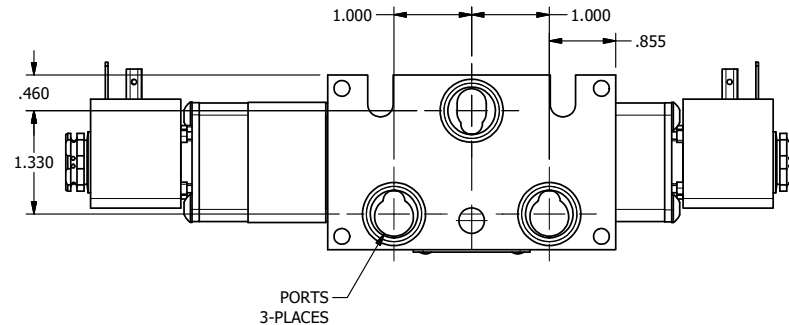
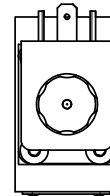
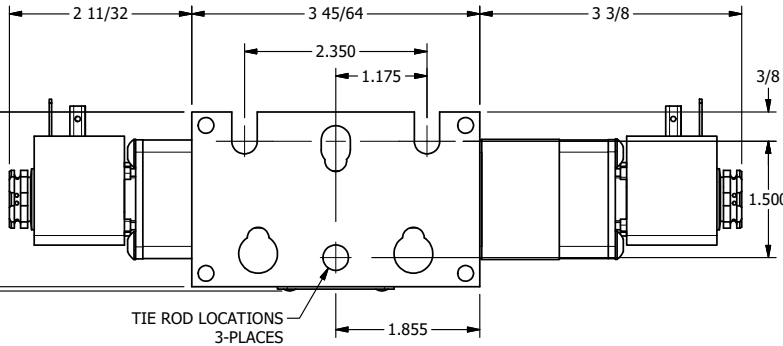
9/16

9/16

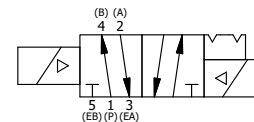
9/16

ISO 4400 DIN CONNECTOR

1/4" NPTF PORTS
2-PLACES



15/16



AAA PRODUCTS INTERNATIONAL
 7114 Harry Hines Blvd
 Dallas, TX 75235

TITLE: 1/4" STACK, DBL SOL, 2 POS,
 DETENT, H-TEMP COIL,
 SIDE VENT

DRAWING NO.:
 DIM_EBSS2HCQ

THE INFORMATION CONTAINED WITHIN THIS DOCUMENT IS PROPRIETARY TO AAA PRODUCTS AND MAY NOT BE DISCLOSED WITHOUT PRIOR WRITTEN CONSENT

4

3

2

1

