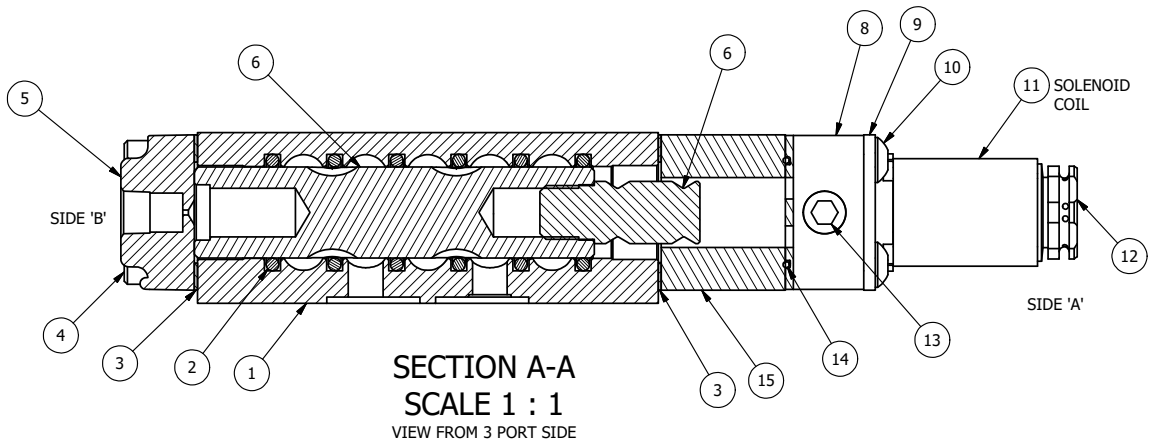


POSITION GASKET AND PEC3-18-Z ON END OF VALVE TO ALIGN PILOT HOLES (SIDE 'A' ONLY)

ALIGN PILOT AND SLOT IN ADAPTOR WITH GASKET IN BETWEEN SIDE 'A' ONLY FOR EXTERNAL PILOT OPERATION - ROTATE ADAPTOR 180 DEGREES. REMOVE 1/8" NPTF PLUG AND SUPPLY 50-150 PSI TO 1/8" NPTF PILOT PORT IN ADAPTOR.

MARK VALVE USING 1/8" LETTERS WHERE XX IS THE DATE CODE

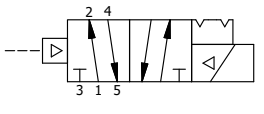
22 PING AFTER INSTALLATION



SECTION A-A
SCALE 1 : 1
VIEW FROM 3 PORT SIDE

| | | | |
|-----|-----|------------|--|
| 23 | 1 | ZNSPK-2 | KIT - SUBPLATE MOUNTING, BRASS NAMUR, (2 EA V-618-SS SCREW, 2 EA V-565 O-RING) |
| 22 | 1 | V-21-SS | SCREW, 1/4-20 X 3/16, SOCKET SET, CUP POINT, 18-8 SS |
| 21 | 1 | DS3-1 | SPRING, DETENT, STAINLESS, 1/4" & 3/8" VALVE. LEE SPRING # LC 0298 0 S. |
| 20 | 1 | V-14 | BALL, CHROME STEEL 3/16 DIA, GRADE 25, FOR DETENT |
| 19 | 1 | V-548 | O-RING, BUNA-N, 70 DURO, 6MM X 1MM, NAMUR PLUG |
| 18 | 1 | V-547 | PLUG, 360 HALF HARD BRASS, NAMUR VALVE |
| 17 | 1 | V-607 | O-RING, VITON, 75 DURO, 14MM X 1MM, IP67 NUT SEAL |
| 16 | 2 | V-606 | O-RING, VITON, 75 DURO, 8MM X 1MM, IP67 STEM SEAL |
| 15 | 1 | PEC3-18-Z | END CAP, SPACER, DETENT, SOLENOID, 360 BRASS, 1/4" & 3/8" VALVES |
| 14 | 1 | EMG3 | GASKET - END MOUNT SOLENOID, BUNA-N, 1/4" & 3/8" VALVES |
| 13 | 1 | V-19-SS | PLUG, SOCKET PIPE 1/8"-27 NPT, 7/8 TAPER, PLAIN, FLUSH SEAL, STAINLESS STEEL |
| 12 | 1 | V-562 | NUT, SOLENOID, SIDE EXHAUST |
| 11 | 1 | V-569-1 | SYSTEM 8 COIL 120 50/60.NASS # 0561 38.1 00/4984. |
| 10 | 4 | V-585-SS | SCREW, 10-24 X 2-1/8, SOCKET BUTTON HEAD, 18-8 STAINLESS |
| 9 | 1 | SEC3-7 | PLATE, RE-INFORCEMENT, SOLENOID, STAMPED, 304 STAINLESS |
| 8 | 1 | V-550-1 | SOL OPER, END MOUNT, NON-LOCKING ORIDE |
| 7 | 1 | S3R | SPOOL - SOLID, STANDARD, 2 POS, CLSD CTR, 1/4" & 3/8" VALVE |
| 6 | 1 | PBS3-13-SS | STUD - POS. A & C. DETENT, STAINLESS STEEL, 1/4" & 3/8" VALVE |
| 5 | 1 | PEC3-11 | END CAP, PILOT, STAINLESS STEEL, 1/4" & 3/8" VALVE |
| 4 | 4 | V-38-SS | SCREW, 10-24 X 3/4, SOCKET HEAD CAP, 18-8 SS |
| 3 | 2 | ECG3 | GASKET - END CAP, 1/4" & 3/8" VALVE |
| 2 | 6 | V-39 | O-RING, VITON, STD BODY, 1/4" & 3/8" VALVES |
| 1 | 1 | Z2-11 | BODY - BRASS, UPPER PILOTS (BUTTON BLEEDER), 1/4" NAMUR |
| FLG | QTY | PART NO | DESCRIPTION |

- NOTES:
 1) ALWAYS GIVE VALVE MODEL AND PART NUMBER WHEN ORDERING PARTS.
 2) FOR DIFFERENT VOLTAGES OTHER THAN 120/60, REPLACE SOLENOID COIL WITH COIL LISTED IN TABLE BELOW.
 3) LUBRICATE DETENT BALL, SPRING AND STUD.



| COIL VOLTAGES | |
|-----------------|--------------|
| PART NO | REPLACE COIL |
| ZNSR2MCQ 12VDC | V-569-2 |
| ZNSR2MCQ 24VDC | V-569-3 |
| ZNSR2MCQ 240/60 | V-569-4 |

| | | | | |
|---|-----------------|--|--------------------|--|
| LIMITS ON DIMENSIONS UNLESS OTHERWISE SPECIFIED | | 2-PL DECIMAL ± .01 3-PL DECIMAL ± .005 FRACTIONAL ± 1/64 ANGULAR ± 1/2° | | AAA PRODUCTS INTERNATIONAL 7114 Harry Hines Blvd Dallas, TX 75235 |
| DRAWN: RMckenna | DATE: 6/17/2022 | CHECKED: KWaite | DATE: 6/17/2022 | |
| SCALE: 1 : 1 | SHEET: 1 OF 1 | RELEASED: HWomack | DATE: 6/17/2022 | |
| TITLE: 1/4" NAMUR, SNGL SOL, 2 POS, DTNT, PLT RTRN, FLYING LEAD, 120/60, BR & SS, SIDE VENT | | | PART NO.: ZNSR2MCQ | REV.: |

THE INFORMATION CONTAINED WITHIN THIS DOCUMENT IS PROPRIETARY TO AAA PRODUCTS AND MAY NOT BE DISCLOSED WITHOUT PRIOR WRITTEN CONSENT