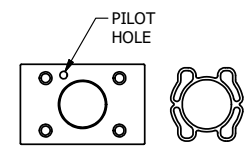
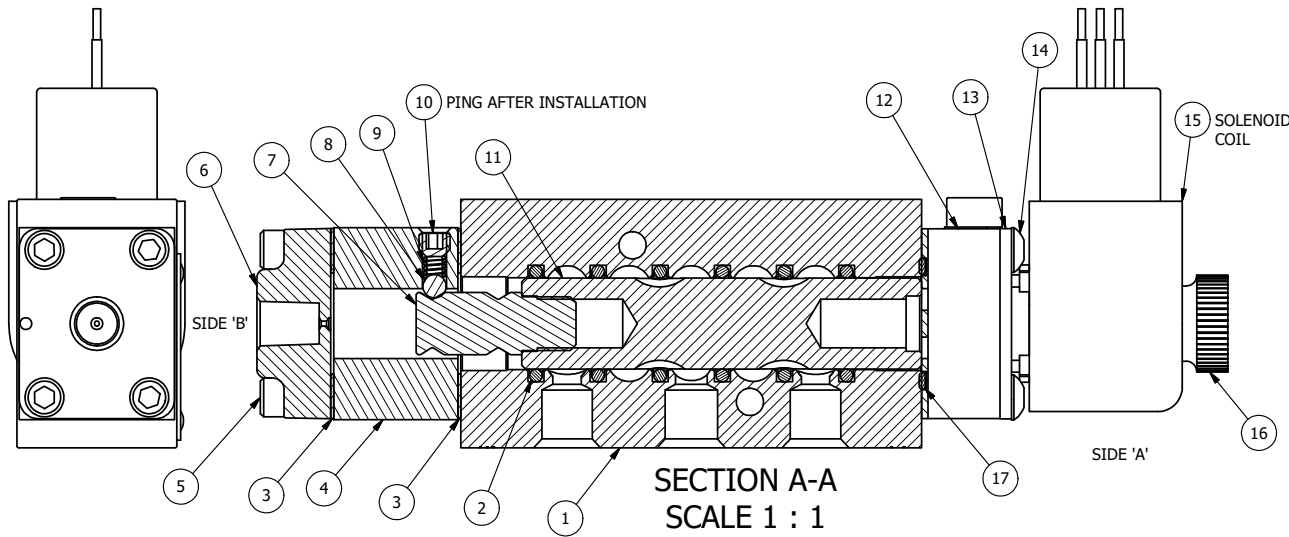


POSITION GASKET TO SEAL PILOT HOLE ON SIDE 'B' ONLY.



ALIGN PILOT AND SLOT IN ADAPTOR WITH GASKET IN BETWEEN SIDE 'A' ONLY FOR EXTERNAL PILOT OPERATION - ROTATE ADAPTOR 180 DEGREES. REMOVE 1/8" NPTF PLUG AND SUPPLY 50-150 PSI TO 1/8" NPTF PILOT PORT IN ADAPTOR

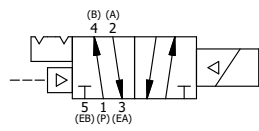
- NOTES:  
 1) ALWAYS GIVE VALVE MODEL AND PART NUMBER WHEN ORDERING PARTS.  
 2) FOR DIFFERENT VOLTAGES OTHER THAN 120/60, REPLACE SOLENOID COIL WITH COIL LISTED IN TABLE BELOW.  
 3) LUBRICATE DETENT BALL, SPRING AND STUD.



|     |     |            |  |
|-----|-----|------------|--|
| 22  | 1   | NSPK-2     | KIT - SUBPLATE MOUNTING, NAMUR VALVES  |
| 21  | 2   | V-212      | SCREW, #2 X 3/16 DRIVE, TYPE U, OVAL HEAD, STAINLESS STEEL                       |
| 20  | 1   | AN-114     | NAMEPLATE, BLANK, FOR VALVES WITH SPRINGS OR DETENTS                             |
| 19  | 1   | V-547      | PLUG, 360 HALF HARD BRASS, NAMUR VALVE   |
| 18  | 1   | V-548      | O-RING, BUNA-N, 70 DURO, 6MM X 1MM, NAMUR PLUG                                   |
| 17  | 1   | EMG3       | GASKET - END MOUNT SOLENOID, BUNA-N, 1/4" & 3/8" VALVES                          |
| 16  | 1   | V-567W     | E SERIES SINTERED BRONZE MUFFLER, DUST EXCLUDER, V-613 LOCK WASHER               |
| 15  | 1   | V-593-1    | COIL - 120VAC EXP PROOF, 1/2" NPTF STAINLESS CONNECTION, NASS #0568 05.1-00/6874 |
| 14  | 4   | V-584      | SCREW, 10-24 X 1, BUTTON HEAD SOCKET CAP WITH MICROSPHERE APPLIED TO THREADS.    |
| 13  | 1   | SEC3-7     | PLATE, RE-INFORCEMENT, SOLENOID, STAMPED, 304 STAINLESS                          |
| 12  | 1   | V-599-1    | SOL OPER, END MOUNT, LOCKING O'RIDE  |
| 11  | 1   | S3R        | SPOOL - SOLID, STANDARD, 2 POS, CLSD CTR, 1/4" & 3/8" VALVE                      |
| 10  | 1   | V-21       | SCREW, 1/4-20 X 3/16, SOCKET SET, CUP POINT                                      |
| 9   | 1   | DS3        | SPRING - DETENT, 1/4" & 3/8" VALVE   |
| 8   | 1   | V-14       | BALL, CHROME STEEL 3/16 DIA, GRADE 25, FOR DETENT                                |
| 7   | 1   | PBS3-13-SS | STUD - POS. A & C. DETENT, STAINLESS STEEL, 1/4" & 3/8" VALVE                    |
| 6   | 1   | PEC3       | END CAP, PILOT, 380 AL, 1/4" & 3/8" VALVE  |
| 5   | 4   | V-614      | SCREW, 10-24 X 1-3/4", SOCKET HEAD CAP   |
| 4   | 1   | PEC3-18    | ENDCAP, SPACER, DETENT, SOLENOID, 6061-T6, 1/4" & 3/8" VALVES                    |
| 3   | 2   | ECG3       | GASKET - END CAP, 1/4" & 3/8" VALVE  |
| 2   | 6   | V-39       | O-RING, VITON, STD BODY, 1/4" & 3/8" VALVES                                      |
| 1   | 1   | B2-11E-W   | NAMUR INTERFACE, WITH 3/2 CONVERSION, 1/4" VALVE                                 |
| FLG | QTY | PART NO    | DESCRIPTION  |

|   |  |  |  |  |                                    |
|---|--|--|--|--|------------------------------------|
| LIMITS ON DIMENSIONS UNLESS OTHERWISE SPECIFIED   |  | 2-PL DECIMAL ± .01<br>3-PL DECIMAL ± .005<br>FRACTIONAL ± 1/64<br>ANGULAR ± 1/2° |  | <b>AAA PRODUCTS INTERNATIONAL</b><br>7114 Harry Hines Blvd<br>Dallas, TX 75235 |                                    |
| DRAWN: RMckenna   |  | DATE: 6/18/2022  |  |  | CHECKED: KWaite<br>DATE: 6/18/2022 |
| SCALE: 1:1  |  | SHEET: 1 OF 1  |  | RELEASED: HWomack<br>DATE: 6/18/2022   |                                    |
| TITLE:<br><b>1/4" NAMUR, SGL SOL, 2 POS, DTNT, PLT RTRN, EXPL PROOF, 120/60, LKNG OVRD, DUST EXCLDR</b> |  |  |  | PART NO.:<br><b>NSR2XOLQ</b>   | REV.:                              |

| COIL VOLTAGES   |              |
|-----------------|--------------|
| PART NO         | REPLACE COIL |
| NSR2XOLQ 12VDC  | V-593-2      |
| NSR2XOLQ 24VDC  | V-593-3      |
| NSR2XOLQ 240/60 | V-593-4      |



THE INFORMATION CONTAINED WITHIN THIS DOCUMENT IS PROPRIETARY TO AAA PRODUCTS AND MAY NOT BE DISCLOSED WITHOUT PRIOR WRITTEN CONSENT

C:\Engineering\product\valves\assembly\standard\NSR2XOLQ.dwg