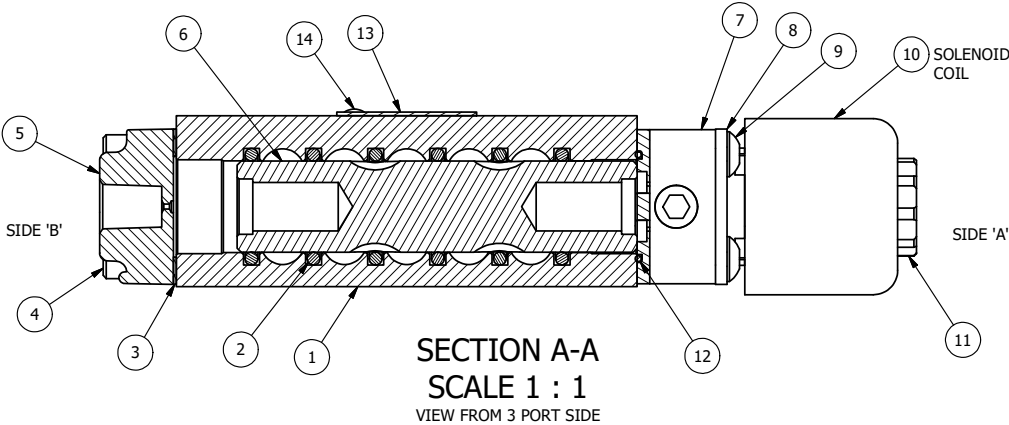


PILOT HOLE

PILOT HOLE

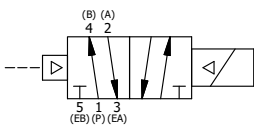
POSITION GASKET TO SEAL PILOT HOLE SIDE 'B' ONLY.

ALIGN PILOT AND SLOT IN ADAPTOR WITH GASKET IN BETWEEN SIDE 'A' ONLY FOR EXTERNAL PILOT OPERATION - ROTATE ADAPTOR 180 DEGREES. REMOVE 1/8" NPTF PLUG AND SUPPLY 50-150 PSI TO 1/8" NPTF PILOT PORT IN ADAPTOR.



NOTES:
1) ALWAYS GIVE VALVE MODEL AND PART NUMBER WHEN ORDERING PARTS.
2) FOR DIFFERENT VOLTAGES OTHER THAN 120/60, REPLACE SOLENOID COIL WITH COIL LISTED IN TABLE BELOW.

| | | | |
|-----|-----|---------|--|
| 14 | 2 | V-212 | SCREW, #2 X 3/16 DRIVE, TYPE U, OVAL HEAD, STAINLESS STEEL |
| 13 | 1 | AN-115 | NAMEPLATE, BLANK, FOR HE,KE,KD,RR,D,CR,PP,SR,SS VALVES |
| 12 | 1 | EMG3 | GASKET - END MOUNT SOLENOID, BUNA-N, 1/4" & 3/8" VALVES |
| 11 | 1 | V-556 | NUT, SOLENOID, TOP EXHAUST, KNURLED |
| 10 | 1 | V-593-1 | COIL - 120VAC EXP PROOF, 1/2" NPTF STAINLESS CONNECTION, NASS #0568 05.1-00/6874 |
| 9 | 4 | V-584 | SCREW, 10-24 X 1, BUTTON HEAD SOCKET CAP WITH MICROSPHERE APPLIED TO THREADS. |
| 8 | 1 | SEC3-7 | PLATE, RE-INFORCEMENT, SOLENOID, STAMPED, 304 STAINLESS |
| 7 | 1 | V-550-1 | SOL OPER, END MOUNT, NON-LOCKING O'RIDE |
| 6 | 1 | S3R | SPOOL - SOLID, STANDARD, 2 POS, CLSD CTR, 1/4" & 3/8" VALVE |
| 5 | 1 | PEC3 | END CAP, PILOT, 300 AL, 1/4" & 3/8" VALVE |
| 4 | 4 | V-38 | SCREW, 10-24 X 3/4, SOCKET HEAD CAP |
| 3 | 1 | ECG3 | GASKET - END CAP, 1/4" & 3/8" VALVE |
| 2 | 6 | V-39 | O-RING, VITON, STD BODY, 1/4" & 3/8" VALVES |
| 1 | 1 | B3-1E | BODY - SOLID, BUTTON BLEEDER, ANODIZED, 3/8" SIDE PORT VALVE |
| FLG | QTY | PART NO | DESCRIPTION |



| COIL VOLTAGES | |
|---------------|--------------|
| PART NO | REPLACE COIL |
| ESR3X 240/60 | V-593-4 |
| ESR3X 24VDC | V-593-3 |
| ESR3X 12VDC | V-593-2 |

| | | | | |
|--|--|--|--|--|
| LIMITS ON DIMENSIONS UNLESS OTHERWISE SPECIFIED | | 2-PL DECIMAL ± .01 3-PL DECIMAL ± .005 FRACTIONAL ± 1/64 ANGULAR ± 1/2° | | AAA PRODUCTS INTERNATIONAL 7114 Harry Hines Blvd Dallas, TX 75235 |
| DRAWN: RMckenna | | DATE: 3/14/2015 | | |
| SCALE: 1 : 1 | | SHEET: 1 OF 1 | | CHECKED: KWaite DATE: 6/1/2015 |
| TITLE: 3/8" SIDE PORT, SNGL SOL, 2 POS, FRICTION POS, PILOT RTRN, EXPLOSION PROOF, 120/60 | | | | PART NO.: ESR3X |
| THE INFORMATION CONTAINED WITHIN THIS DOCUMENT IS PROPRIETARY TO AAA PRODUCTS AND MAY NOT BE DISCLOSED WITHOUT PRIOR WRITTEN CONSENT | | | | REV.: |

D:\Engineering\Product Valve Assembly\Standard\ESR3X.DWG