

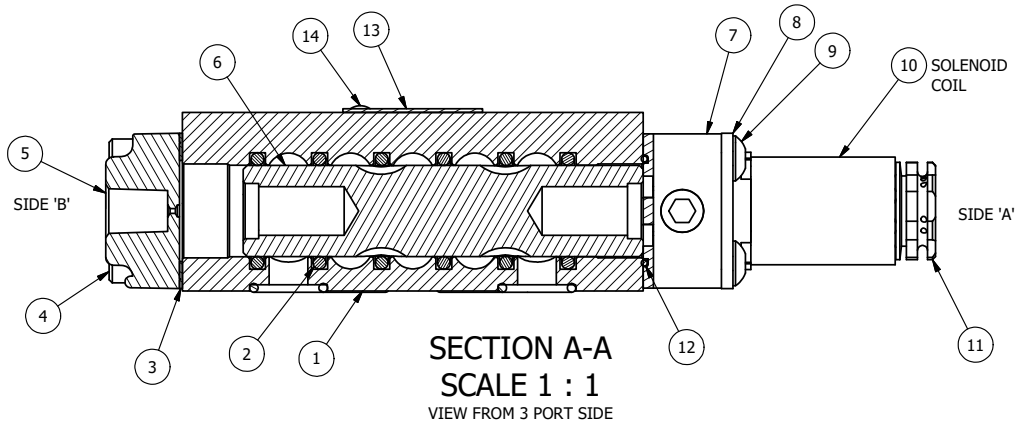
PILOT HOLE

PILOT HOLE

PILOT HOLE

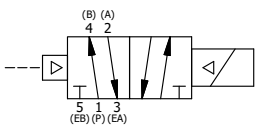
POSITION GASKET TO SEAL UPPER PILOT HOLE, AND WITH THE LOWER PILOT OPEN TO THE CENTER. SIDE 'B' ONLY.

ALIGN PILOT AND SLOT IN ADAPTOR WITH GASKET IN BETWEEN SIDE 'A' ONLY FOR EXTERNAL PILOT OPERATION - ROTATE ADAPTOR 180 DEGREES. REMOVE 1/8" NPTF PLUG AND SUPPLY 50-150 PSI TO 1/8" NPTF PILOT PORT IN ADAPTOR.



|     |     |         |   |
|-----|-----|---------|---|
| 15  | 1   | SPK-3   | KIT - SUBPLATE MOUNTING, 3/8" SUBPLATE VALVES                                 |
| 14  | 2   | V-212   | SCREW, #2 X 3/16 DRIVE, TYPE U, OVAL HEAD, STAINLESS STEEL                    |
| 13  | 1   | AN-115  | NAMEPLATE, BLANK, FOR HE,KE,KD,RR,D,CR,PP,SR,SS VALVES                        |
| 12  | 1   | EMG3    | GASKET - END MOUNT SOLENOID, BUNA-N, 1/4" & 3/8" VALVES                       |
| 11  | 1   | V-562   | NUT, SOLENOID, SIDE EXHAUST   |
| 10  | 1   | V-569-1 | SYSTEM 8 COIL 120 50/60.NASS # 0561 38.1 00/4984.                             |
| 9   | 4   | V-584   | SCREW, 10-24 X 1, BUTTON HEAD SOCKET CAP WITH MICROSPHERE APPLIED TO THREADS. |
| 8   | 1   | SEC3-7  | PLATE, RE-INFORCEMENT, SOLENOID, STAMPED, 304 STAINLESS                       |
| 7   | 1   | V-599-1 | SOL OPER, END MOUNT, LOCKING O'RIDE   |
| 6   | 1   | S3R     | SPOOL - SOLID, STANDARD, 2 POS, CLSD CTR, 1/4" & 3/8" VALVE                   |
| 5   | 1   | PEC3    | END CAP, PILOT, 300 AL, 1/4" & 3/8" VALVE                                     |
| 4   | 4   | V-38    | SCREW, 10-24 X 3/4, SOCKET HEAD CAP   |
| 3   | 1   | ECG3    | GASKET - END CAP, 1/4" & 3/8" VALVE   |
| 2   | 6   | V-39    | O-RING, VITON, STD BODY, 1/4" & 3/8" VALVES                                   |
| 1   | 1   | BP3-4E  | BODY - SOLID, BUTTON BLEEDER, LOWER PILOTS, 3/8" SUBPLATE VALVE               |
| FLG | QTY | PART NO | DESCRIPTION   |

NOTES:  
1) ALWAYS GIVE VALVE MODEL AND PART NUMBER WHEN ORDERING PARTS.  
2) FOR DIFFERENT VOLTAGES OTHER THAN 120/60, REPLACE SOLENOID COIL WITH COIL LISTED IN TABLE BELOW.



| COIL VOLTAGES   |              |
|-----------------|--------------|
| PART NO         | REPLACE COIL |
| ESR3PMOC 240/60 | V-569-4      |
| ESR3PMOC 24VDC  | V-569-3      |
| ESR3PMOC 12VDC  | V-569-2      |

|   |                 |  |                              |  |
|---|-----------------|--|------------------------------|--|
| LIMITS ON DIMENSIONS UNLESS OTHERWISE SPECIFIED   |                 | 2-PL DECIMAL ± .01<br>3-PL DECIMAL ± .005<br>FRACTIONAL ± 1/64<br>ANGULAR ± 1/2° |                              | <b>AAA PRODUCTS INTERNATIONAL</b><br>7114 Harry Hines Blvd<br>Dallas, TX 75235 |
| DRAWN: RMckenna   | DATE: 4/10/2017 | CHECKED: KWaite  | DATE: 4/10/2017              |  |
| SCALE: 1 : 1  | SHEET: 1 OF 1   | RELEASED: HWomack  | DATE: 4/10/2017              |  |
| TITLE:<br><b>3/8" SUBPLATE, SNGL SOL, 2 POS, PLT RTRN, FLYING LEAD, 120/60, LCKNG OVRD, SIDE VENT</b> |                 |  | PART NO.:<br><b>ESR3PMOC</b> | REV.:  |

THE INFORMATION CONTAINED WITHIN THIS DOCUMENT IS PROPRIETARY TO AAA PRODUCTS AND MAY NOT BE DISCLOSED WITHOUT PRIOR WRITTEN CONSENT

D:\Engineering\product\Valve Assembly\Standard\ESR3PMOC.dwg