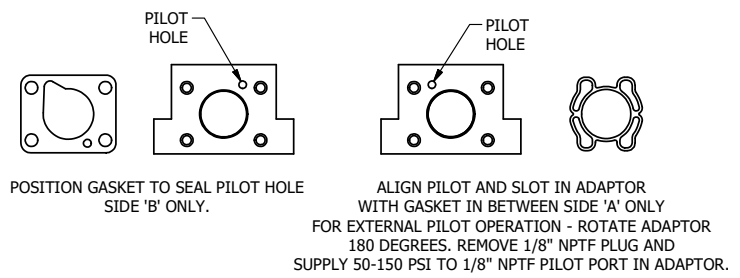
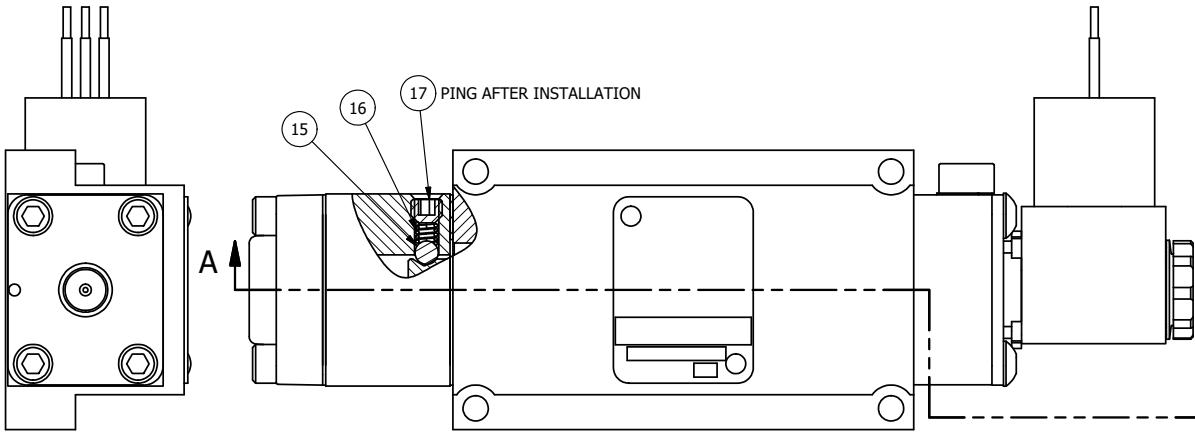


4

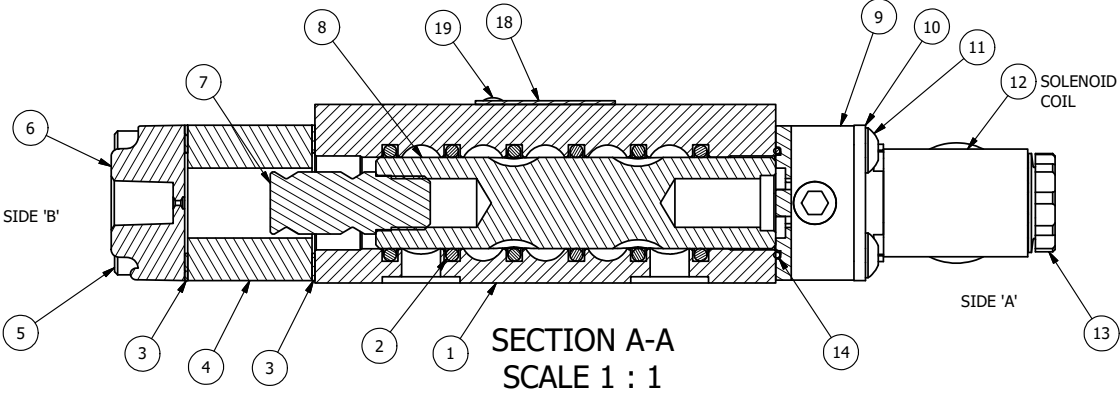
3

2

1



NOTES:
 1) ALWAYS GIVE VALVE MODEL AND PART NUMBER WHEN ORDERING PARTS.
 2) FOR DIFFERENT VOLTAGES OTHER THAN 120/60, REPLACE SOLENOID COIL WITH COIL LISTED IN TABLE BELOW.
 3) LUBRICATE DETENT BALL, SPRING AND STUD.



SECTION A-A
SCALE 1 : 1
 VIEW FROM 3 PORT SIDE

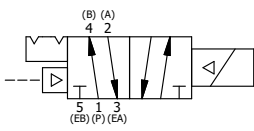
| | | | |
|-----|-----|------------|---|
| 20 | 1 | SPK-3 | KIT - SUBPLATE MOUNTING, 3/8" SUBPLATE VALVES |
| 19 | 2 | V-212 | SCREW, #2 X 3/16 DRIVE, TYPE U, OVAL HEAD, STAINLESS STEEL |
| 18 | 1 | AN-114 | NAMEPLATE, BLANK, FOR VALVES WITH SPRINGS OR DETENTS |
| 17 | 1 | V-21 | SCREW, 1/4-20 X 3/16, SOCKET SET, CUP POINT |
| 16 | 1 | DS3 | SPRING - DETENT, 1/4" & 3/8" VALVE |
| 15 | 1 | V-14 | BALL, CHROME STEEL 3/16 DIA, GRADE 25, FOR DETENT |
| 14 | 1 | EMG3 | GASKET - END MOUNT SOLENOID, BUNA-N, 1/4" & 3/8" VALVES |
| 13 | 1 | V-556 | NUT, SOLENOID, TOP EXHAUST, KNURLED |
| 12 | 1 | V-600-1 | COIL - 1/2 NPTF HUB 120V 50/60HZ, NASS P/N 0561 44.1-00/4984 |
| 11 | 4 | V-584 | SCREW, 10-24 X 1, BUTTON HEAD SOCKET CAP WITH MICROSPHERE APPLIED TO THREADS. |
| 10 | 1 | SEC3-7 | PLATE, RE-INFORCEMENT, SOLENOID, STAMPED, 304 STAINLESS |
| 9 | 1 | V-599-1 | SOL OPER, END MOUNT, LOCKING O'RIDE |
| 8 | 1 | S3R | SPOOL - SOLID, STANDARD, 2 POS, CLSD CTR, 1/4" & 3/8" VALVE |
| 7 | 1 | PBS3-13-SS | STUD - POS. A & C. DETENT, STAINLESS STEEL, 1/4" & 3/8" VALVE |
| 6 | 1 | PEC3 | END CAP, PILOT, 380 AL, 1/4" & 3/8" VALVE |
| 5 | 4 | V-614 | SCREW, 10-24 X 1-3/4", SOCKET HEAD CAP |
| 4 | 1 | PEC3-18 | ENDCAP, SPACER, DETENT, SOLENOID, 6061-T6, 1/4" & 3/8" VALVES |
| 3 | 2 | ECG3 | GASKET - END CAP, 1/4" & 3/8" VALVE |
| 2 | 6 | V-39 | O-RING, VITON, STD BODY, 1/4" & 3/8" VALVES |
| 1 | 1 | BP3-4E | BODY - SOLID, BUTTON BLEEDER, LOWER PILOTS, 3/8" SUBPLATE VALVE |
| FLG | QTY | PART NO | DESCRIPTION |

LIMITS ON DIMENSIONS
 UNLESS OTHERWISE SPECIFIED
 2-PL DECIMAL ± .01
 3-PL DECIMAL ± .005
 FRACTIONAL ± 1/64
 ANGULAR ± 1/2°



DRAWN: RMckenna DATE: 6/16/2022 CHECKED: KWaite DATE: 6/16/2022
 SCALE: 1 : 1 SHEET: 1 OF 1 RELEASED: HWomack DATE: 6/16/2022

| COIL VOLTAGES | |
|-----------------|--------------|
| PART NO | REPLACE COIL |
| ESR3PJOQ 12VDC | V-600-2 |
| ESR3PJOQ 24VDC | V-600-3 |
| ESR3PJOQ 240/60 | V-600-4 |



TITLE:
3/8" SUBPLATE, SNGL SOL, 2 POS, DETENT, PLT RTRN, MOLD-OVER, 120/60, LCKNG OVRD

PART NO.: **ESR3PJOQ**

THE INFORMATION CONTAINED WITHIN THIS DOCUMENT IS PROPRIETARY TO AAA PRODUCTS AND MAY NOT BE DISCLOSED WITHOUT PRIOR WRITTEN CONSENT