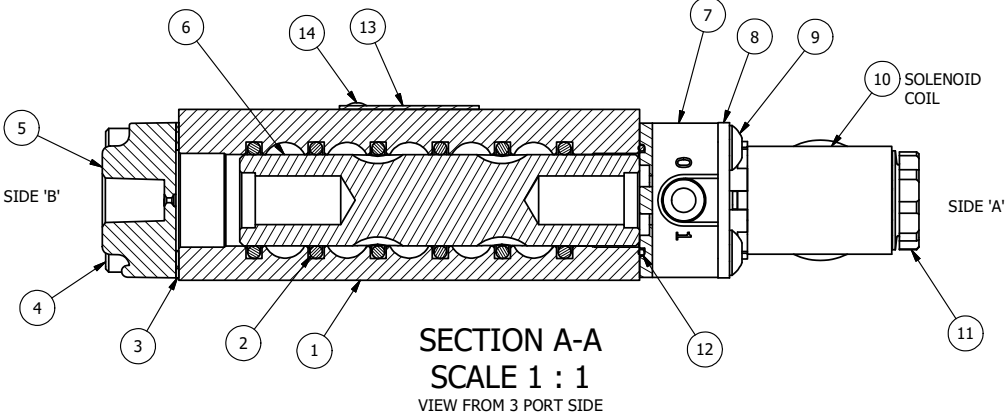


PILOT HOLE

PILOT HOLE

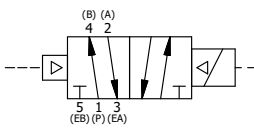
POSITION GASKET TO SEAL PILOT HOLE SIDE 'B' ONLY.

ALIGN PILOT AND SLOT IN ADAPTOR WITH GASKET IN BETWEEN, SIDE 'A' ONLY (ADAPTOR SHOULD BE INSTALLED AS SHOWN) SUPPLY 50-150 PSI TO 1/8" NPTF PILOT PORT IN ADAPTOR.



|     |     |         |   |
|-----|-----|---------|---|
| 14  | 2   | V-212   | SCREW, #2 X 3/16 DRIVE, TYPE U, OVAL HEAD, STAINLESS STEEL                    |
| 13  | 1   | AN-115  | NAMEPLATE, BLANK, FOR HE,KE,KD,RR,D,CR,PP,SR,SS VALVES                        |
| 12  | 1   | EMG3    | GASKET - END MOUNT SOLENOID, BUNA-N, 1/4" & 3/8" VALVES                       |
| 11  | 1   | V-556   | NUT, SOLENOID, TOP EXHAUST, KNURLED   |
| 10  | 1   | V-600-1 | COIL - 1/2 NPTF HUB 120V 50/60HZ, NASS P/N 0561 44.1-00/4984                  |
| 9   | 4   | V-584   | SCREW, 10-24 X 1, BUTTON HEAD SOCKET CAP WITH MICROSPHERE APPLIED TO THREADS. |
| 8   | 1   | SEC3-7  | PLATE, RE-INFORCEMENT, SOLENOID, STAMPED, 304 STAINLESS                       |
| 7   | 1   | V-550-1 | SOL OPER, END MOUNT, NON-LOCKING O'RIDE                                       |
| 6   | 1   | S3R     | SPOOL - SOLID, STANDARD, 2 POS, CLSD CTR, 1/4" & 3/8" VALVE                   |
| 5   | 1   | PEC3    | END CAP, PILOT, 300 AL, 1/4" & 3/8" VALVE                                     |
| 4   | 4   | V-38    | SCREW, 10-24 X 3/4, SOCKET HEAD CAP   |
| 3   | 1   | ECG3    | GASKET - END CAP, 1/4" & 3/8" VALVE   |
| 2   | 6   | V-39    | O-RING, VITON, STD BODY, 1/4" & 3/8" VALVES                                   |
| 1   | 1   | B3-1E   | BODY - SOLID, BUTTON BLEEDER, ANODIZED, 3/8" SIDE PORT VALVE                  |
| FLG | QTY | PART NO | DESCRIPTION   |

NOTES:  
 1) ALWAYS GIVE VALVE MODEL AND PART NUMBER WHEN ORDERING PARTS.  
 2) FOR DIFFERENT VOLTAGES OTHER THAN 120/60, REPLACE SOLENOID COIL WITH COIL LISTED IN TABLE BELOW.



| COIL VOLTAGES |              |
|---------------|--------------|
| PART NO       | REPLACE COIL |
| ESR3JZ 240/60 | V-600-4      |
| ESR3JZ 24VDC  | V-600-3      |
| ESR3JZ 12VDC  | V-600-2      |

|  |  |  |  |  |       |
|--|--|--|--|--|-------|
| LIMITS ON DIMENSIONS UNLESS OTHERWISE SPECIFIED  |  | 2-PL DECIMAL ± .01<br>3-PL DECIMAL ± .005<br>FRACTIONAL ± 1/64<br>ANGULAR ± 1/2° |  | <b>AAA PRODUCTS INTERNATIONAL</b><br>7114 Harry Hines Blvd<br>Dallas, TX 75235 |       |
| DRAWN: RMckenna  |  | DATE: 6/3/2016   |  |  |       |
| SCALE: 1 : 1   |  | SHEET: 1 OF 1  |  | CHECKED: KWaite<br>DATE: 6/3/2016<br>RELEASED: HWomack<br>DATE: 6/3/2016       |       |
| TITLE:<br><b>3/8" SIDE PORT, SNGL SOL, 2 POS, FRICTION POS, PILOT RTRN, MOLD-OVER, 120/60, EXT PILOT</b> |  |  |  | PART NO.:<br><b>ESR3JZ</b>   | REV.: |

THE INFORMATION CONTAINED WITHIN THIS DOCUMENT IS PROPRIETARY TO AAA PRODUCTS AND MAY NOT BE DISCLOSED WITHOUT PRIOR WRITTEN CONSENT

D:\Engineering\Product Valve Assembly\Standard\ESR3JZ.DWG