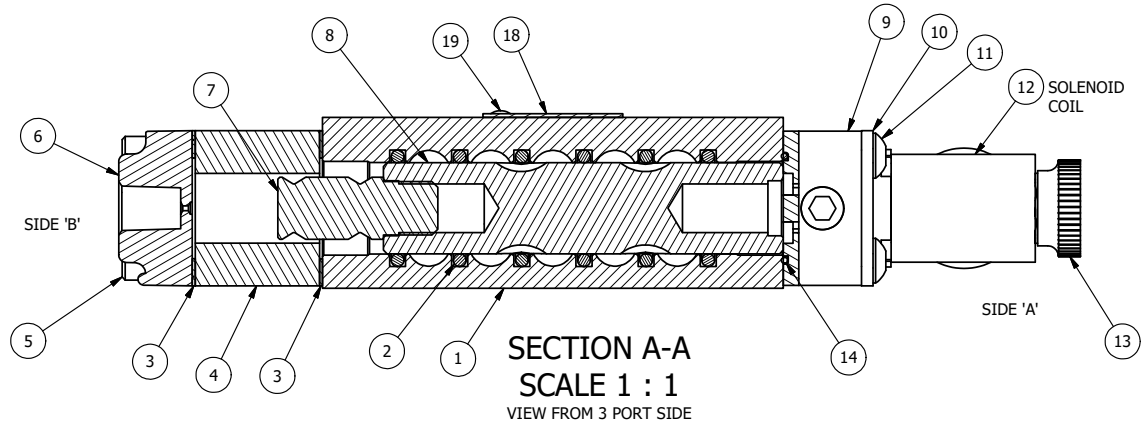
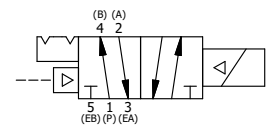


NOTES:  
 1) ALWAYS GIVE VALVE MODEL AND PART NUMBER WHEN ORDERING PARTS.  
 2) FOR DIFFERENT VOLTAGES OTHER THAN 120/60, REPLACE SOLENOID COIL WITH COIL LISTED IN TABLE BELOW.  
 3) LUBRICATE DETENT BALL, SPRING AND STUD.



19	2	V-212	SCREW, #2 X 3/16 DRIVE, TYPE U, OVAL HEAD, STAINLESS STEEL
18	1	AN-114	NAMEPLATE, BLANK, FOR VALVES WITH SPRINGS OR DETENTS
17	1	V-21	SCREW, 1/4-20 X 3/16, SOCKET SET, CUP POINT
16	1	DS3	SPRING - DETENT, 1/4" & 3/8" VALVE
15	1	V-14	BALL, CHROME STEEL 3/16 DIA, GRADE 25, FOR DETENT
14	1	EMG3	GASKET - END MOUNT SOLENOID, BUNA-N, 1/4" & 3/8" VALVES
13	1	V-567W	E SERIES SINTERED BRONZE MUFFLER, DUST EXCLUDER, V-613 LOCK WASHER
12	1	V-600-1	COIL - 1/2 NPTF HUB 120V 50/60HZ, NASS P/N 0561 44.1-00/4984
11	4	V-584	SCREW, 10-24 X 1, BUTTON HEAD SOCKET CAP WITH MICROSPHERE APPLIED TO THREADS.
10	1	SEC3-7	PLATE, RE-INFORCEMENT, SOLENOID, STAMPED, 304 STAINLESS
9	1	V-550-1	SOL OPER, END MOUNT, NON-LOCKING O'RIDE
8	1	S3R	SPOOL - SOLID, STANDARD, 2 POS, CLSD CTR, 1/4" & 3/8" VALVE
7	1	PBS3-13-SS	STUD - POS. A & C. DETENT, STAINLESS STEEL, 1/4" & 3/8" VALVE
6	1	PEC3	END CAP, PILOT, 380 AL, 1/4" & 3/8" VALVE
5	4	V-614	SCREW, 10-24 X 1-3/4", SOCKET HEAD CAP
4	1	PEC3-18	ENDCAP, SPACER, DETENT, SOLENOID, 6061-T6, 1/4" & 3/8" VALVES
3	2	ECG3	GASKET - END CAP, 1/4" & 3/8" VALVE
2	6	V-39	O-RING, VITON, STD BODY, 1/4" & 3/8" VALVES
1	1	B2-1E	BODY - SOLID, BUTTON BLEEDER, ANODIZED, 1/4" SIDE PORT VALVE
FLG	QTY	PART NO	DESCRIPTION

LIMITS ON DIMENSIONS UNLESS OTHERWISE SPECIFIED	2-PL DECIMAL ± .01	<b>AAA PRODUCTS INTERNATIONAL</b> 7114 Harry Hines Blvd Dallas, TX 75235									
	3-PL DECIMAL ± .005										
	FRACTIONAL ± 1/64										
	ANGULAR ± 1/2°										
DRAWN: RMckenna	DATE: 6/17/2022	CHECKED: KWaite	DATE: 6/17/2022								
SCALE: 1 : 1	SHEET: 1 OF 1	RELEASED: HWomack	DATE: 6/17/2022								
COIL VOLTAGES <table border="1"> <tr><th>PART NO</th><th>REPLACE COIL</th></tr> <tr><td>ESR2JLQ 12VDC</td><td>V-600-2</td></tr> <tr><td>ESR2JLQ 24VDC</td><td>V-600-3</td></tr> <tr><td>ESR2JLQ 240/60</td><td>V-600-4</td></tr> </table>		PART NO	REPLACE COIL	ESR2JLQ 12VDC	V-600-2	ESR2JLQ 24VDC	V-600-3	ESR2JLQ 240/60	V-600-4	TITLE: <b>1/4" SIDE PORT, SNGL SOL, 2 POS, DTNT, PLT RTRN, MOLD-OVER, 120/60, DUST EXLDR</b>	PART NO.: <b>ESR2JLQ</b>
PART NO	REPLACE COIL										
ESR2JLQ 12VDC	V-600-2										
ESR2JLQ 24VDC	V-600-3										
ESR2JLQ 240/60	V-600-4										
THE INFORMATION CONTAINED WITHIN THIS DOCUMENT IS PROPRIETARY TO AAA PRODUCTS AND MAY NOT BE DISCLOSED WITHOUT PRIOR WRITTEN CONSENT			REV.:								



P:\Engineering\Products\Valves\AssemblyStandards\ESR2JLQ.dwg