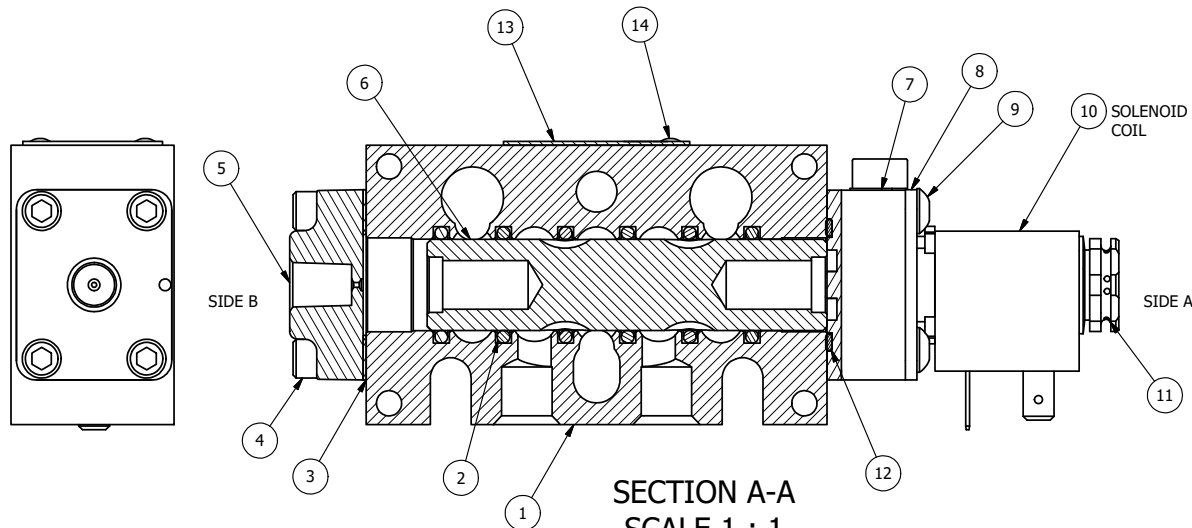


POSITION GASKET ON END OF VALVE TO SEAL PILOT HOLE SIDE 'B' ONLY

ALIGN PILOT AND SLOT IN ADAPTOR WITH GASKET IN BETWEEN SIDE 'A' ONLY FOR EXTERNAL PILOT OPERATION - ROTATE ADAPTOR 180 DEGREES. REMOVE 1/8" NPTF PLUG AND SUPPLY 50-150 PSI TO 1/8" NPTF PILOT PORT IN ADAPTOR.

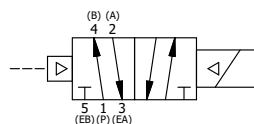
NOTES:

- 1) ALWAYS GIVE VALVE MODEL AND PART NUMBER WHEN ORDERING PARTS.
- 2) FOR DIFFERENT VOLTAGES OTHER THAN 120/60, REPLACE SOLENOID COIL LISTED IN TABLE BELOW.



| FLG | QTY | PART NO | DESCRIPTION |
|-----|-----|---------|---|
| 15 | 3 | V-110 | O-RING, BUNA-N, 70 DURO, AS-114, (REF 5/8 X 13/16 X 3/32), 1/4" SLEEVE, 1/2" SUB, STACK |
| 14 | 2 | V-212 | SCREW, #2 X 3/16 DRIVE, TYPE U, OVAL HEAD, STAINLESS STEEL |
| 13 | 1 | AN-115 | NAMEPLATE, BLANK, FOR HE,KE,KD,RR,D,CR,PP,SR,SS VALVES |
| 12 | 1 | EMG3 | GASKET - END MOUNT SOLENOID, BUNA-N, 1/4" & 3/8" VALVES |
| 11 | 1 | V-562 | NUT, SOLENOID, SIDE EXHAUST |
| 10 | 1 | V-551-1 | THERMOPLASTIC ENCAPSULATED COIL 120V 50/60HZ, NASS P/N # 108-030-0455 |
| 9 | 4 | V-584 | SCREW, 10-24 X 1, BUTTON HEAD SOCKET CAP WITH MICROSPHERE APPLIED TO THREADS. |
| 8 | 1 | SEC3-7 | PLATE, RE-INFORCEMENT, SOLENOID, STAMPED, 304 STAINLESS |
| 7 | 1 | V-599-1 | SOL OPER, END MOUNT, LOCKING O'RIDE |
| 6 | 1 | S3R | SPOOL - SOLID, STANDARD, 2 POS, CLSD CTR, 1/4" & 3/8" VALVE |
| 5 | 1 | PEC3 | END CAP, PILOT, 300 AL, 1/4" & 3/8" VALVE |
| 4 | 4 | V-38 | SCREW, 10-24 X 3/4, SOCKET HEAD CAP |
| 3 | 1 | ECG3 | GASKET - END CAP, 1/4" & 3/8" VALVE |
| 2 | 6 | V-39 | O-RING, VITON, STD BODY, 1/4" & 3/8" VALVES |
| 1 | 1 | B2-10E | FINISHED - SOLID BODY, UPPER PILOTS, 1/4" STACKING VALVE |

| LIMITS ON DIMENSIONS UNLESS OTHERWISE SPECIFIED | | 2-PL DECIMAL ± .01 3-PL DECIMAL ± .005 FRACTIONAL ± 1/64 ANGULAR ± 1/2° | | AAA PRODUCTS INTERNATIONAL 7114 Harry Hines Blvd Dallas, TX 75235 | | | | | | | | | | |
|---|--------------|--|--|--|--------------|----------------|---------|---------------|---------|----------------|---------|---|-----------------------------|-------|
| DRAWN: RMckenna | | DATE: 3/31/2017 | | | | | | | | | | | | |
| SCALE: 1:1 | | SHEET: 1 OF 1 | | CHECKED: KWaite DATE: 3/31/2017 RELEASED: HWomack DATE: 3/31/2017 | | | | | | | | | | |
| COIL VOLTAGES <table border="1"> <thead> <tr> <th>PART NO</th> <th>REPLACE COIL</th> </tr> </thead> <tbody> <tr> <td>EBSR20C 240/60</td> <td>V-551-4</td> </tr> <tr> <td>EBSR20C 24VDC</td> <td>V-551-3</td> </tr> <tr> <td>EBSR20C 12 VDC</td> <td>V-551-2</td> </tr> </tbody> </table> | | | | PART NO | REPLACE COIL | EBSR20C 240/60 | V-551-4 | EBSR20C 24VDC | V-551-3 | EBSR20C 12 VDC | V-551-2 | TITLE: 1/4" STACK, SNGL SOL, 2 POS, FRICTION POS, PILOT RTRN, 120/60, LCKNG OVRD, SIDE VENT | PART NO.: EBSR20C | REV.: |
| PART NO | REPLACE COIL | | | | | | | | | | | | | |
| EBSR20C 240/60 | V-551-4 | | | | | | | | | | | | | |
| EBSR20C 24VDC | V-551-3 | | | | | | | | | | | | | |
| EBSR20C 12 VDC | V-551-2 | | | | | | | | | | | | | |



THE INFORMATION CONTAINED WITHIN THIS DOCUMENT IS PROPRIETARY TO AAA PRODUCTS AND MAY NOT BE DISCLOSED WITHOUT PRIOR WRITTEN CONSENT