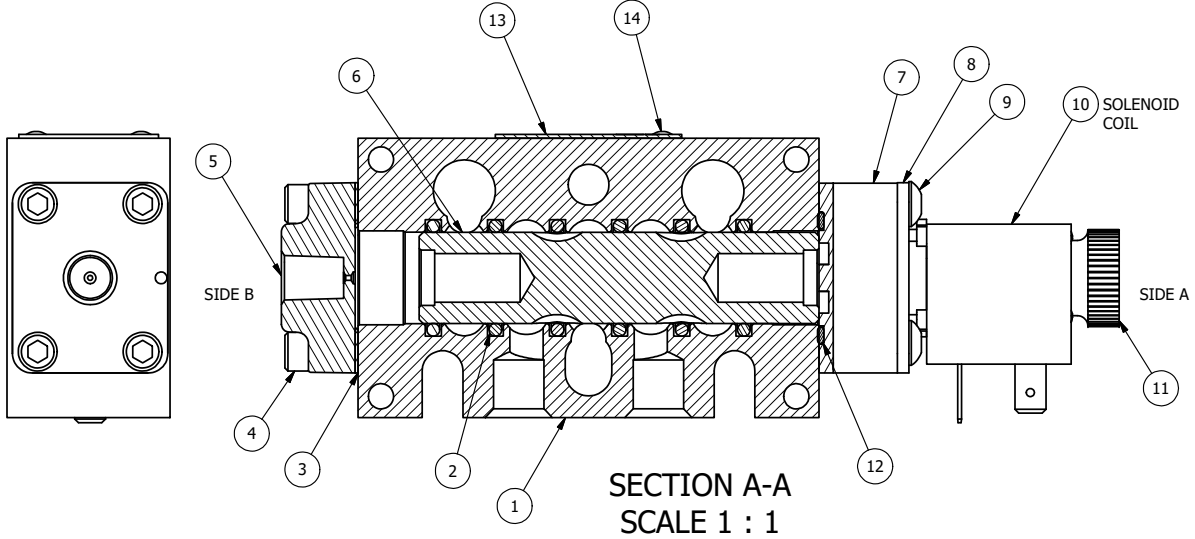


POSITION GASKET ON END OF VALVE TO SEAL PILOT HOLE SIDE 'B' ONLY

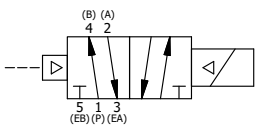
ALIGN PILOT AND SLOT IN ADAPTOR WITH GASKET IN BETWEEN SIDE 'A' ONLY FOR EXTERNAL PILOT OPERATION - ROTATE ADAPTOR 180 DEGREES. REMOVE 1/8" NPTF PLUG AND SUPPLY 50-150 PSI TO 1/8" NPTF PILOT PORT IN ADAPTOR.

NOTES:  
 1) ALWAYS GIVE VALVE MODEL AND PART NUMBER WHEN ORDERING PARTS.  
 2) FOR DIFFERENT VOLTAGES OTHER THAN 120/60, REPLACE SOLENOID COIL LISTED IN TABLE BELOW.



|     |     |         |   |
|-----|-----|---------|---|
| 15  | 3   | V-110   | O-RING, BUNA-N, 70 DURO, AS-114, (REF 5/8 X 13/16 X 3/32), 1/4" SLEEVE, 1/2" SUB, STACK |
| 14  | 2   | V-212   | SCREW, #2 X 3/16 DRIVE, TYPE U, OVAL HEAD, STAINLESS STEEL                              |
| 13  | 1   | AN-115  | NAMEPLATE, BLANK, FOR HE,KE,KD,RR,D,CR,PP,SR,SS VALVES                                  |
| 12  | 1   | EMG3    | GASKET - END MOUNT SOLENOID, BUNA-N, 1/4" & 3/8" VALVES                                 |
| 11  | 1   | V-567W  | E SERIES SINTERED BRONZE MUFFLER, DUST EXCLUDER, V-613 LOCK WASHER                      |
| 10  | 1   | V-551-1 | THERMOPLASTIC ENCAPSULATED COIL 120V 50/60HZ, NASS P/N # 108-030-0455                   |
| 9   | 4   | V-584   | SCREW, 10-24 X 1, BUTTON HEAD SOCKET CAP WITH MICROSPHERE APPLIED TO THREADS.           |
| 8   | 1   | SEC3-7  | PLATE, RE-INFORCEMENT, SOLENOID, STAMPED, 304 STAINLESS                                 |
| 7   | 1   | V-550-1 | SOL OPER, END MOUNT, NON-LOCKING O'RIDE   |
| 6   | 1   | S3R     | SPOOL - SOLID, STANDARD, 2 POS, CLSD CTR, 1/4" & 3/8" VALVE                             |
| 5   | 1   | PEC3    | END CAP, PILOT, 300 AL, 1/4" & 3/8" VALVE   |
| 4   | 4   | V-38    | SCREW, 10-24 X 3/4, SOCKET HEAD CAP   |
| 3   | 1   | ECG3    | GASKET - END CAP, 1/4" & 3/8" VALVE   |
| 2   | 6   | V-39    | O-RING, VITON, STD BODY, 1/4" & 3/8" VALVES   |
| 1   | 1   | B2-10E  | FINISHED - SOLID BODY, UPPER PILOTS, 1/4" STACKING VALVE                                |
| FLG | QTY | PART NO | DESCRIPTION   |

|   |  |  |  |  |                 |                 |
|---|--|--|--|--|-----------------|-----------------|
| LIMITS ON DIMENSIONS UNLESS OTHERWISE SPECIFIED   |  | 2-PL DECIMAL ± .01<br>3-PL DECIMAL ± .005<br>FRACTIONAL ± 1/64<br>ANGULAR ± 1/2° |  | <b>AAA PRODUCTS INTERNATIONAL</b><br>7114 Harry Hines Blvd<br>Dallas, TX 75235 |                 |                 |
| DRAWN: RMckenna   |  | DATE: 9/29/2015  |  |  | CHECKED: KWaite | DATE: 9/29/2015 |
| SCALE: 1:1  |  | SHEET: 1 OF 1  |  | RELEASED: HWomack  |                 | DATE: 9/29/2015 |
| TITLE:<br><b>1/4" STACK, SNGL SOL, 2 POS, FRICTION POS, PILOT RTRN, 120/60, DUST EXCLDR</b> |  |  |  | PART NO.:  |                 | REV.:           |
|   |  |  |  | EBSR2L   |                 |                 |



| COIL VOLTAGES |              |
|---------------|--------------|
| PART NO       | REPLACE COIL |
| EBSR2L 240/60 | V-551-4      |
| EBSR2L 24VDC  | V-551-3      |
| EBSR2L 12 VDC | V-551-2      |

THE INFORMATION CONTAINED WITHIN THIS DOCUMENT IS PROPRIETARY TO AAA PRODUCTS AND MAY NOT BE DISCLOSED WITHOUT PRIOR WRITTEN CONSENT