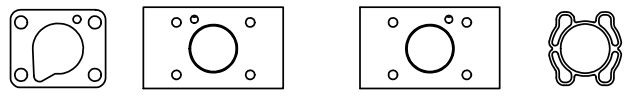
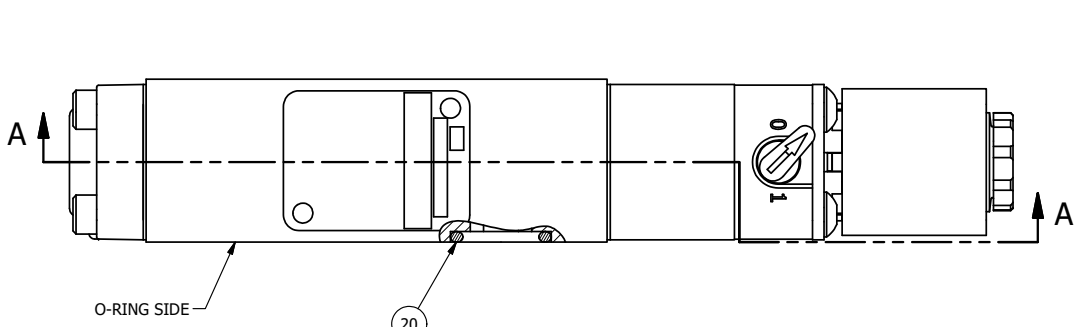


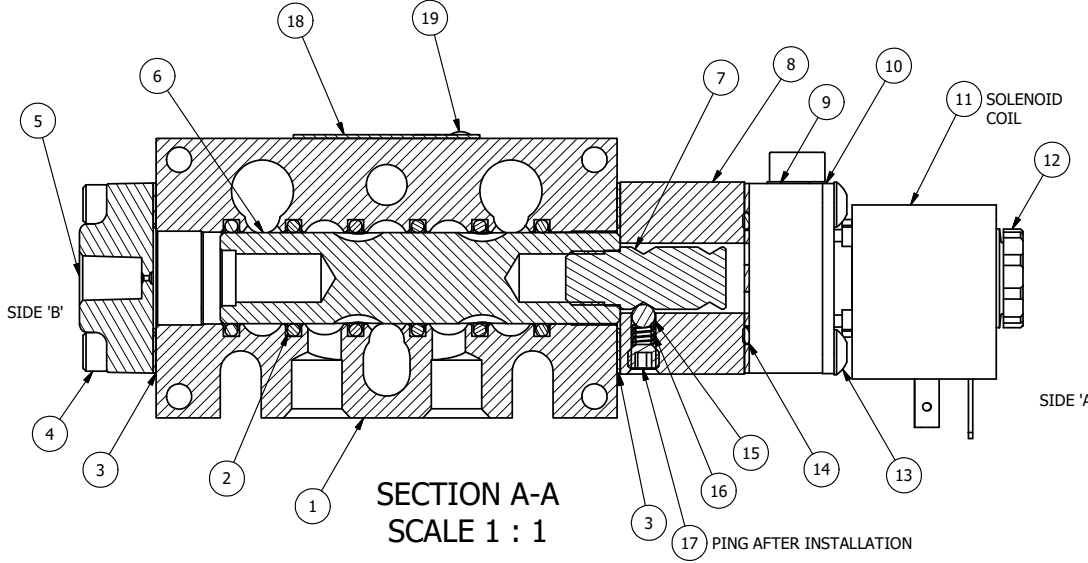
4 | | | 3 | | | 2 | | | 1



POSITION GASKET ON END OF VALVE TO SEAL PILOT HOLE SIDE 'B' ONLY

ALIGN PILOT AND SLOT IN ADAPTOR WITH GASKET IN BETWEEN SIDE 'A' ONLY FOR EXTERNAL PILOT OPERATION - ROTATE ADAPTOR 180 DEGREES. REMOVE 1/8" NPTF PLUG AND SUPPLY 50-150 PSI TO 1/8" NPTF PILOT PORT IN ADAPTOR.

NOTES:
 1) ALWAYS GIVE VALVE MODEL AND PART NUMBER WHEN ORDERING PARTS.
 2) FOR DIFFERENT VOLTAGES OTHER THAN 120/60, REPLACE SOLENOID COIL WITH COIL LISTED IN TABLE BELOW.
 3) LUBRICATE DETENT BALL, SPRING AND STUD.



| | | | |
|-----|-----|---------|-----------------------------------------------------------------------------------------|
| 20 | 3 | V-110 | O-RING, BUNA-N, 70 DURO, AS-114, (REF 5/8 X 13/16 X 3/32), 1/4" SLEEVE, 1/2" SUB, STACK |
| 19 | 2 | V-212 | SCREW, #2 X 3/16 DRIVE, TYPE U, OVAL HEAD, STAINLESS STEEL |
| 18 | 1 | AN-114 | NAMEPLATE, BLANK, FOR VALVES WITH SPRINGS OR DETENTS |
| 17 | 1 | V-21 | SCREW, 1/4-20 X 3/16, SOCKET SET, CUP POINT |
| 16 | 1 | DS3 | SPRING - DETENT, 1/4" & 3/8" VALVE |
| 15 | 1 | V-14 | BALL, CHROME STEEL 3/16 DIA, GRADE 25, FOR DETENT |
| 14 | 1 | EMG3 | GASKET - END MOUNT SOLENOID, BUNA-N, 1/4" & 3/8" VALVES |
| 13 | 4 | V-585 | SCREW, 10-24 X 2-1/8, SOCKET BUTTON HEAD |
| 12 | 1 | V-556 | NUT, SOLENOID, TOP EXHAUST, KNURLED |
| 11 | 1 | V-603-1 | COIL HI-TEMP. 8-30T 120/60. NASS # 0558 55.1-00/7121. |
| 10 | 1 | SEC3-7 | PLATE, RE-INFORCEMENT, SOLENOID, STAMPED, 304 STAINLESS |
| 9 | 1 | V-599-1 | SOL OPER, END MOUNT, LOCKING O'RIDE |
| 8 | 1 | PEC3-18 | ENDCAP, SPACER, DETENT, SOLENOID, 6061-T6, 1/4" & 3/8" VALVES |
| 7 | 1 | PBS3-13 | STUD - POS. A & C. DETENT, 1/4" & 3/8" VALVE |
| 6 | 1 | S3R | SPOOL - SOLID, STANDARD, 2 POS, CLSD CTR, 1/4" & 3/8" VALVE |
| 5 | 1 | PEC3 | END CAP, PILOT, 380 AL, 1/4" & 3/8" VALVE |
| 4 | 4 | V-38 | SCREW, 10-24 X 3/4, SOCKET HEAD CAP |
| 3 | 2 | ECG3 | GASKET - END CAP, 1/4" & 3/8" VALVE |
| 2 | 6 | V-39 | O-RING, VITON, STD BODY, 1/4" & 3/8" VALVES |
| 1 | 1 | B2-10E | FINISHED - SOLID BODY, UPPER PILOTS, 1/4" STACKING VALVE |
| FLG | QTY | PART NO | DESCRIPTION |

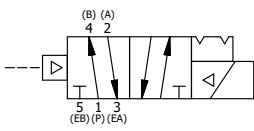
LIMITS ON DIMENSIONS
 UNLESS OTHERWISE SPECIFIED
 2-PL DECIMAL ± .01
 3-PL DECIMAL ± .005
 FRACTIONAL ± 1/64
 ANGULAR ± 1/2°



DRAWN: RMckenna DATE: 6/16/2022 CHECKED: KWaite DATE: 6/16/2022
 SCALE: 1:1 SHEET: 1 OF 1 RELEASED: HWomack DATE: 6/16/2022

| | | |
|-------------------------------------------------------------------------------------------|-----------------------|-------|
| TITLE: 1/4" STACK, SNGL SOL, 2 POS, DETENT, PLT RTRN, H-TEMP, 120/60, LCKNG OVRD | PART NO.: EBSR2HOQ | REV.: |
|-------------------------------------------------------------------------------------------|-----------------------|-------|

| COIL VOLTAGES | |
|-----------------|--------------|
| PART NO | REPLACE COIL |
| EBSR2HOQ 12 VDC | V-603-2 |



THE INFORMATION CONTAINED WITHIN THIS DOCUMENT IS PROPRIETARY TO AAA PRODUCTS AND MAY NOT BE DISCLOSED WITHOUT PRIOR WRITTEN CONSENT

4 | | | 3 | | | 2 | | | 1