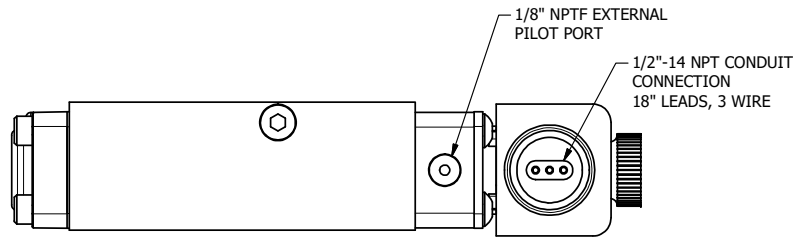


4

3

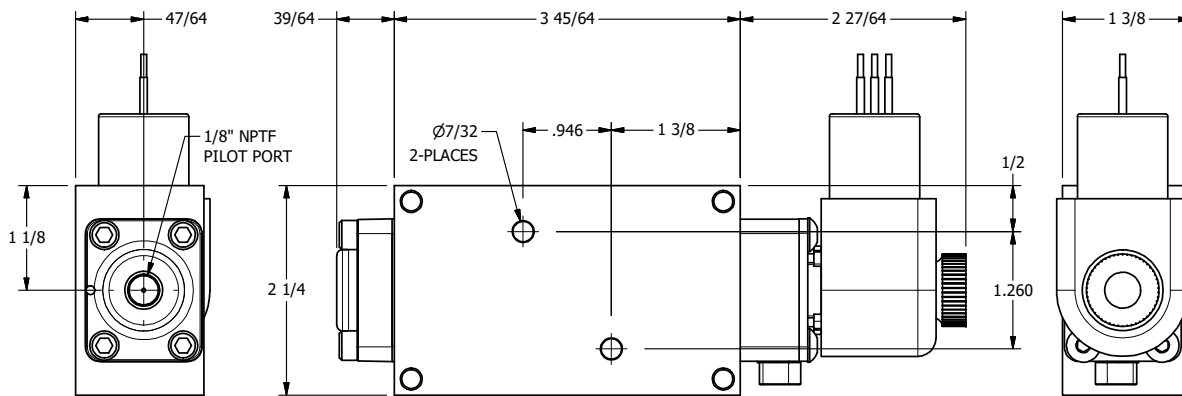
2

1



1/8" NPTF EXTERNAL PILOT PORT

1/2"-14 NPT CONDUIT CONNECTION
18" LEADS, 3 WIRE



47/64

39/64

3 45/64

2 27/64

1 3/8

1/8" NPTF PILOT PORT

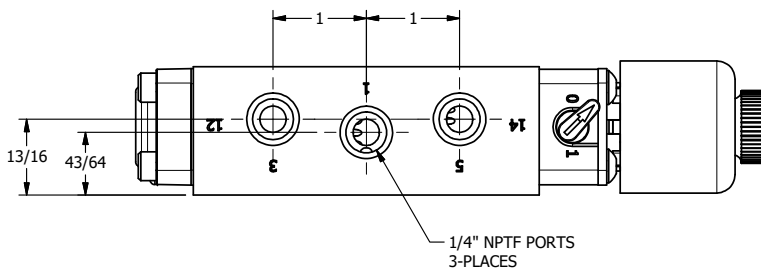
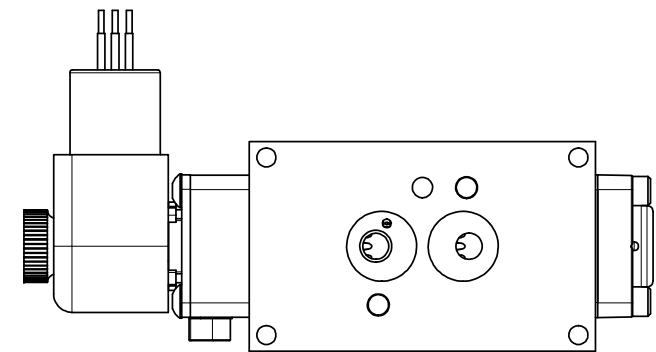
Ø7/32
2-PLACES

.946

1 3/8

1/2

1.260



1/4" NPTF PORTS
3-PLACES

13/16

43/64

12

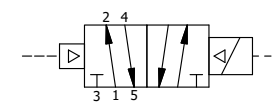
1

1

3

5

14



4

3

2

AAA
PRODUCTS
INTERNATIONAL

AAA PRODUCTS INTERNATIONAL
7114 Harry Hines Blvd
Dallas, TX 75235

TITLE: 1/4" NAMUR, SNGL SOL, 2 POS,
PLT RTRN, EXPL PROOF, BR/SS,
LCKNG OVRD, EXCLDR, EXT PILOT

DRAWING NO.:
DIM_ZNSR2XOLZ

THE INFORMATION CONTAINED WITHIN THIS DOCUMENT IS PROPRIETARY TO AAA PRODUCTS AND MAY NOT BE DISCLOSED WITHOUT PRIOR WRITTEN CONSENT