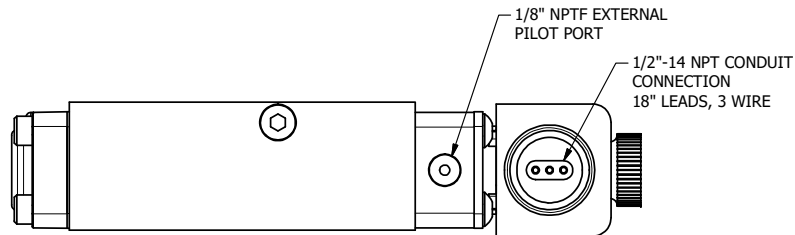


4

3

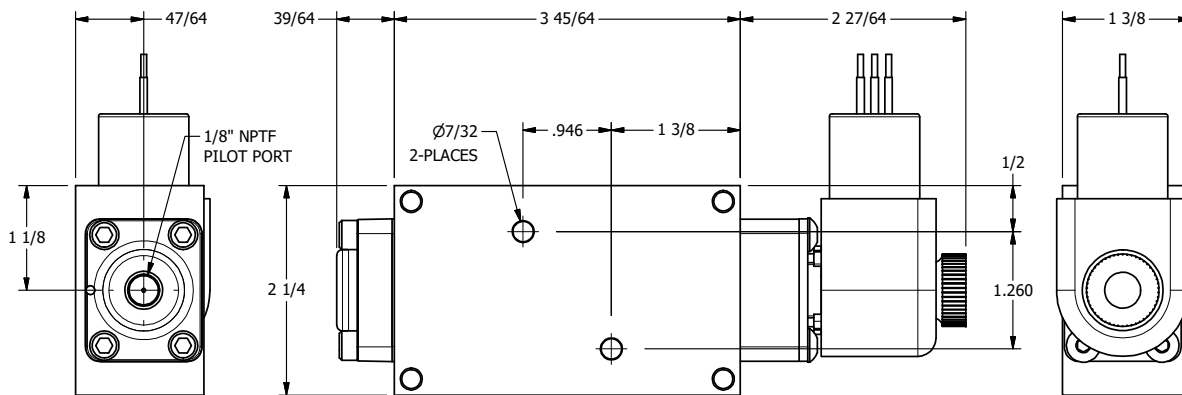
2

1



1/8" NPTF EXTERNAL PILOT PORT

1/2"-14 NPT CONDUIT CONNECTION
18" LEADS, 3 WIRE



47/64

39/64

3 45/64

2 27/64

1 3/8

1/8" NPTF PILOT PORT

Ø7/32
2-PLACES

.946

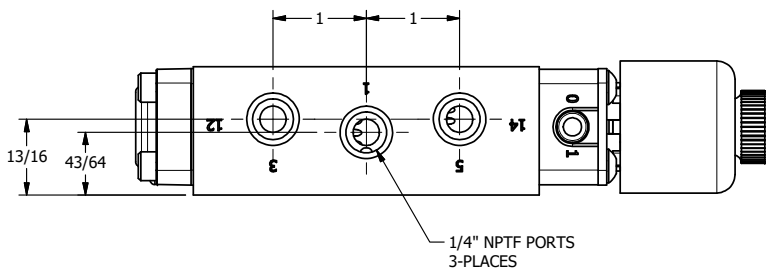
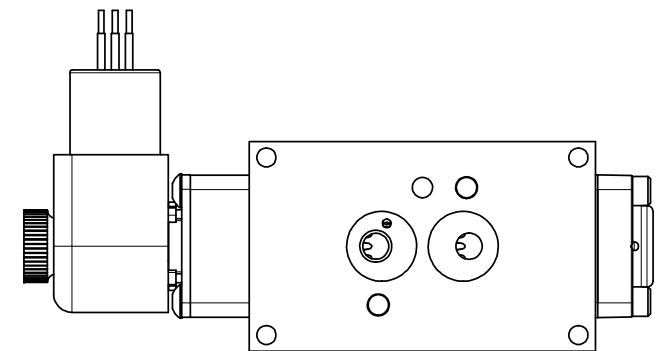
1 3/8

1/2

1.260

1 1/8

2 1/4



1/4" NPTF PORTS
3-PLACES

13/16

43/64

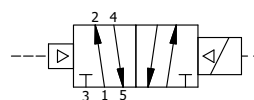
1

1

3

5

1



4

3

2

AAA
PRODUCTS
INTERNATIONAL

AAA PRODUCTS INTERNATIONAL
7114 Harry Hines Blvd
Dallas, TX 75235

TITLE: 1/4" NAMUR, SNGL SOL, 2 POS,
PILOT RTRN, BR & SS, EXPL PROOF,
DUST EXCLDR, EXT PILOT

DRAWING NO.:
DIM_ZNSR2XLZ

THE INFORMATION CONTAINED WITHIN THIS DOCUMENT IS PROPRIETARY TO AAA PRODUCTS AND MAY NOT BE DISCLOSED WITHOUT PRIOR WRITTEN CONSENT