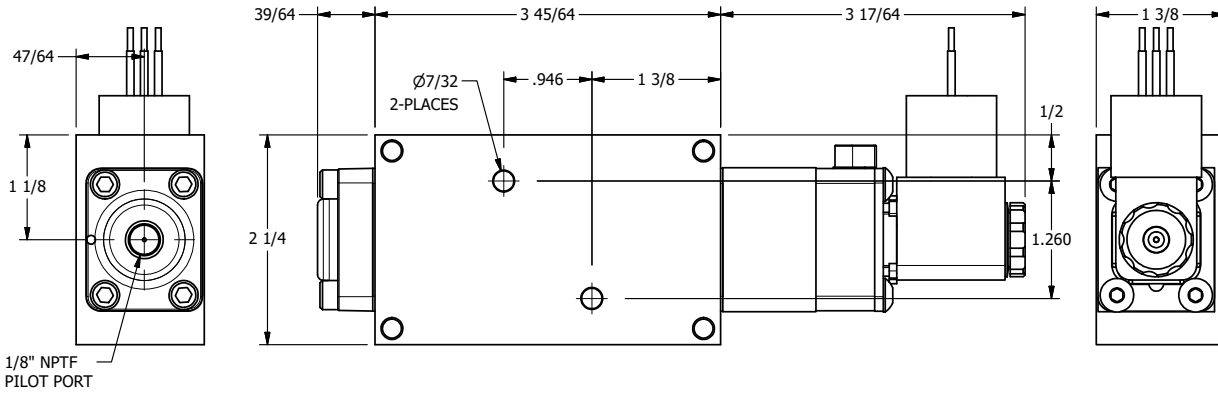
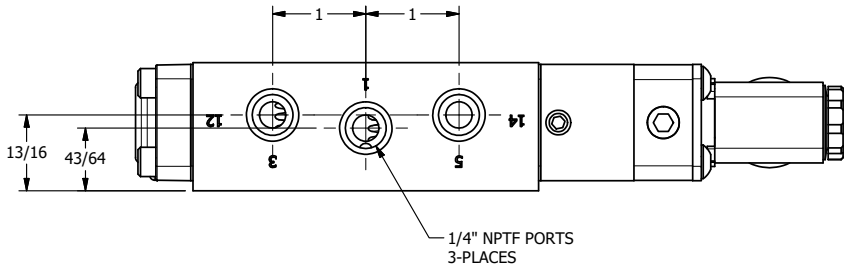


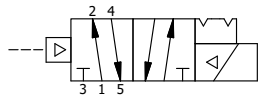
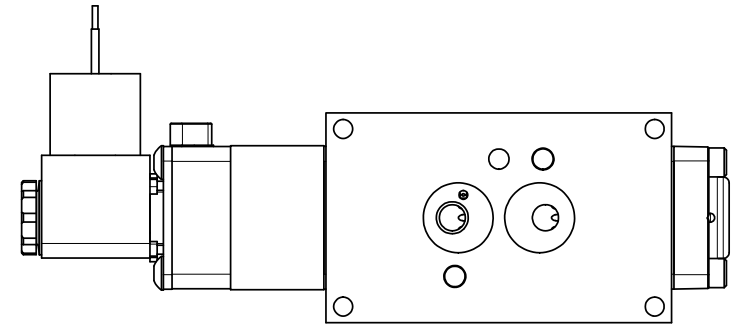
1/2"-14 NPT CONDUIT CONNECTION
18" LEADS, 3 WIRE



1/8" NPTF PILOT PORT



1/4" NPTF PORTS
3-PLACES



AAA
PRODUCTS
INTERNATIONAL

AAA PRODUCTS INTERNATIONAL
7114 Harry Hines Blvd
Dallas, TX 75235

TITLE: 1/4" NAMUR, SNGL SOL, 2 POS,
DETENT, PLT RTRN, MOLD-OVER,
BR & SS, LCKNG OVRD

DRAWING NO.:
DIM_ZNSR2JOQ

THE INFORMATION CONTAINED WITHIN THIS DOCUMENT IS PROPRIETARY TO AAA PRODUCTS AND MAY NOT BE DISCLOSED WITHOUT PRIOR WRITTEN CONSENT