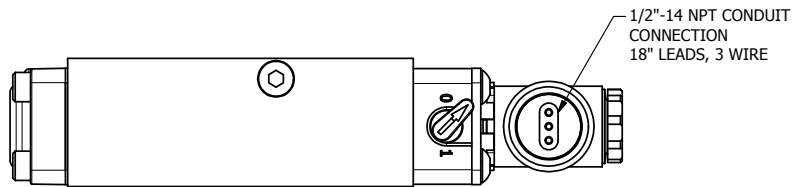


4

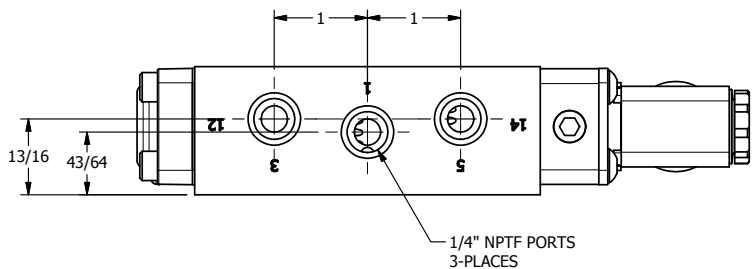
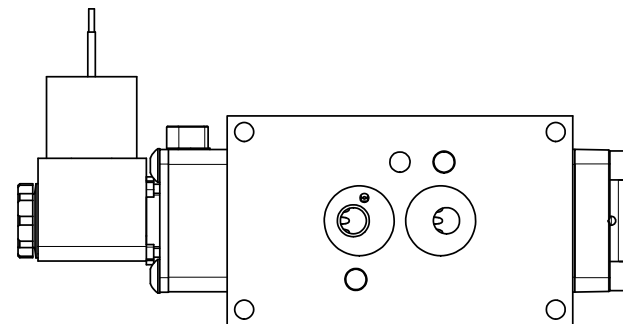
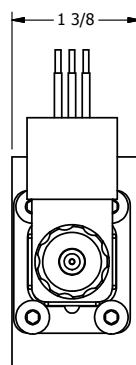
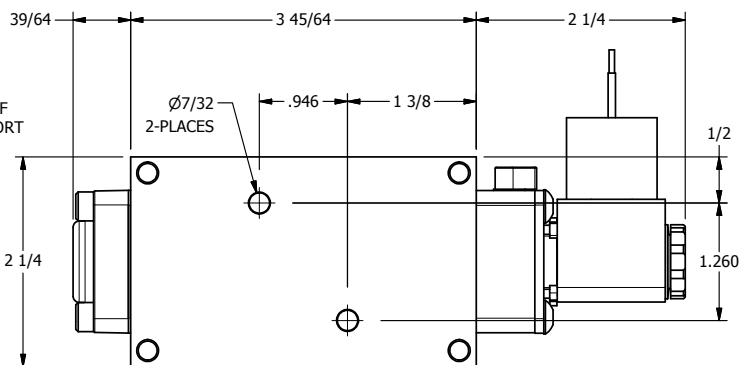
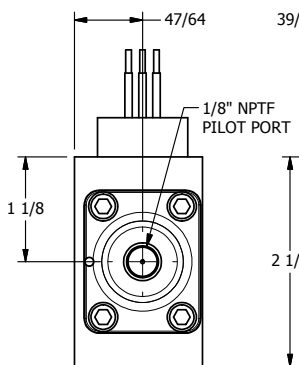
3

2

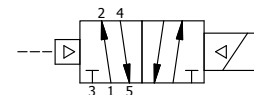
1



1/2"-14 NPT CONDUIT CONNECTION
18" LEADS, 3 WIRE



1/4" NPTF PORTS
3-PLACES



TITLE: 1/4" NAMUR, SNGL SOL, 2 POS,
FRICTION POS, PILOT RTRN, BRASS &
STAINLESS, MOLD-OVER, LCKNG OVRD

DRAWING NO.:
DIM_ZNSR2JO

THE INFORMATION CONTAINED WITHIN THIS DOCUMENT IS PROPRIETARY TO AAA PRODUCTS AND MAY NOT BE DISCLOSED WITHOUT PRIOR WRITTEN CONSENT

4

3

2

1