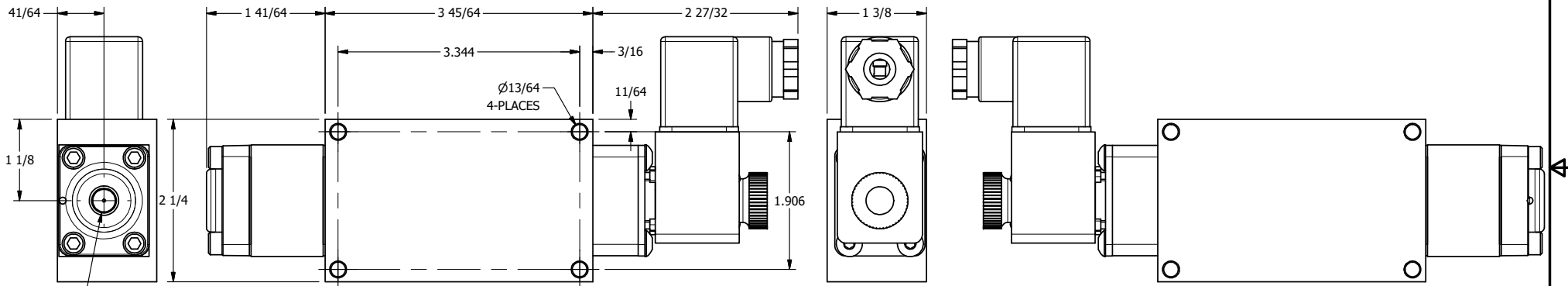
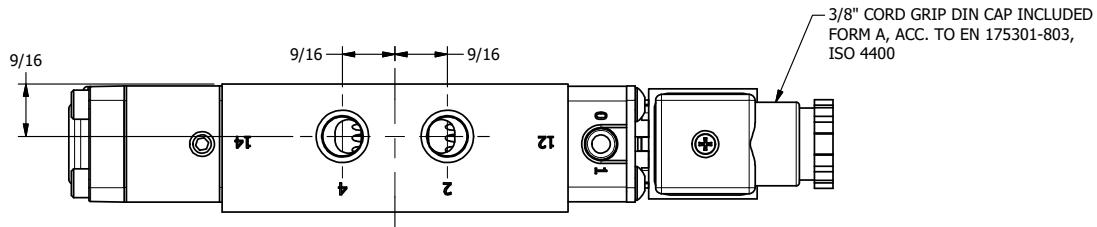
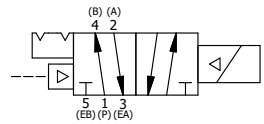
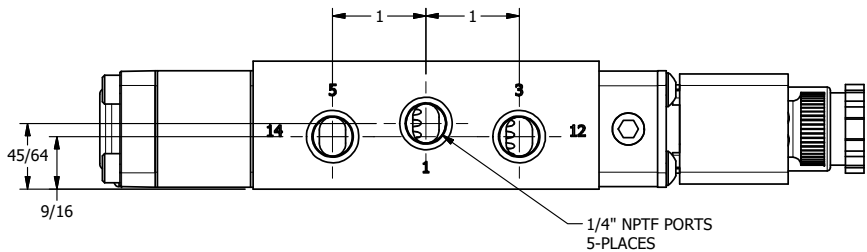


4 | 3 | 2 | 1



1/8" NPTF
PILOT PORT



4 | 3 | 2

AAA
PRODUCTS
INTERNATIONAL

**AAA PRODUCTS
INTERNATIONAL**
7114 Harry Hines Blvd
Dallas, TX 75235

TITLE: 1/4" SIDE PORT, SNGL SOL, 2 POS,
DETENT, PILOT RTRN, BRASS & SS,
INTRINSICALLY SAFE, 24VDC

DRAWING NO.:
DIM_ZESR2ALQ

THE INFORMATION CONTAINED WITHIN THIS DOCUMENT IS PROPRIETARY TO AAA PRODUCTS AND MAY NOT BE DISCLOSED WITHOUT PRIOR WRITTEN CONSENT