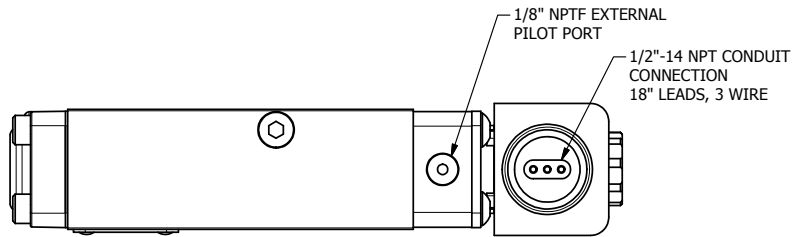


4

3

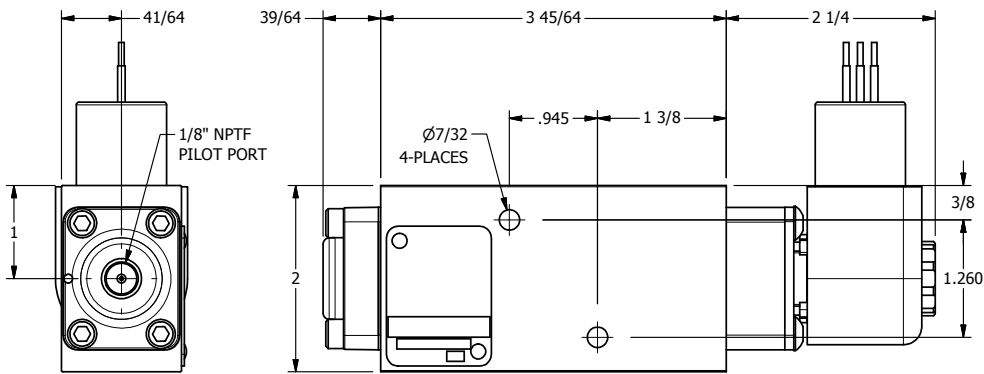
2

1



1/8" NPTF EXTERNAL PILOT PORT

1/2"-14 NPT CONDUIT CONNECTION
18" LEADS, 3 WIRE



41/64

39/64

3 45/64

2 1/4

1/8" NPTF PILOT PORT

Ø7/32
4-PLACES

.945

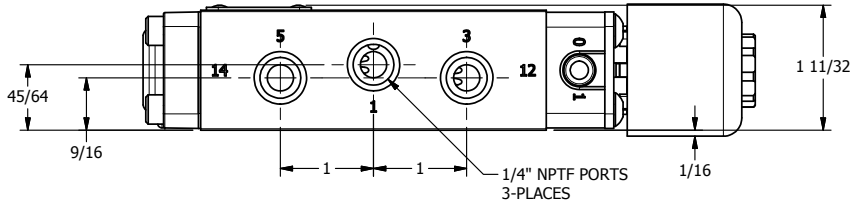
1 3/8

1 9/32

3/8

1.260

2



45/64

9/16

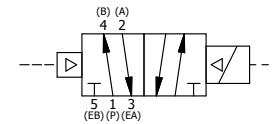
1

1

1/4" NPTF PORTS
3-PLACES

1/16

1 11/32



AAA
PRODUCTS
INTERNATIONAL

**AAA PRODUCTS
INTERNATIONAL**
7114 Harry Hines Blvd
Dallas, TX 75235

TITLE: 1/4" NAMUR, SNGL SOL, 2 POS,
FRICTION POS, PILOT RETURN,
EXPL PROOF, EXT PILOT

DRAWING NO.:
DIM_NSR2XZ

4

3

2

1

THE INFORMATION CONTAINED WITHIN THIS DOCUMENT IS PROPRIETARY TO AAA PRODUCTS AND MAY NOT BE DISCLOSED WITHOUT PRIOR WRITTEN CONSENT