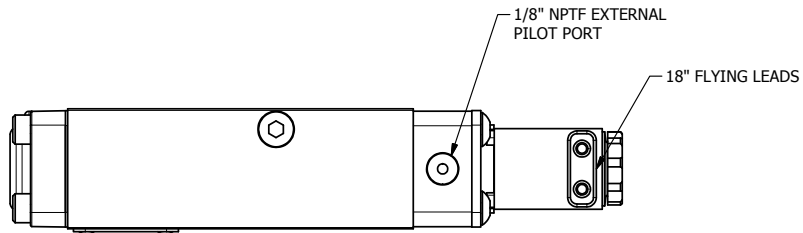


4

3

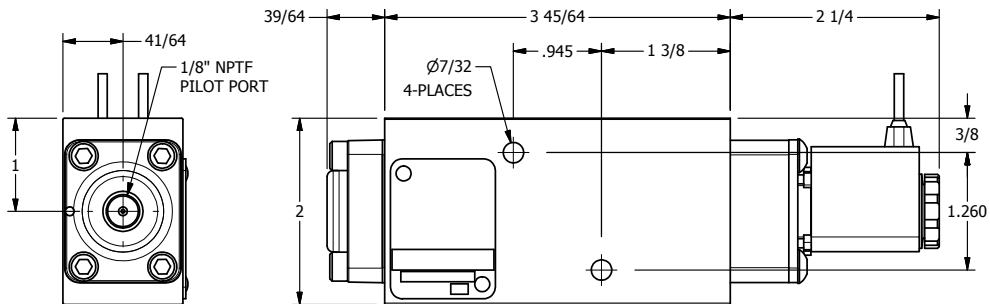
2

1



1/8" NPTF EXTERNAL PILOT PORT

18" FLYING LEADS



41/64

1/8" NPTF PILOT PORT

39/64

3 45/64

2 1/4

Ø7/32  
4-PLACES

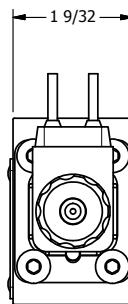
.945

1 3/8

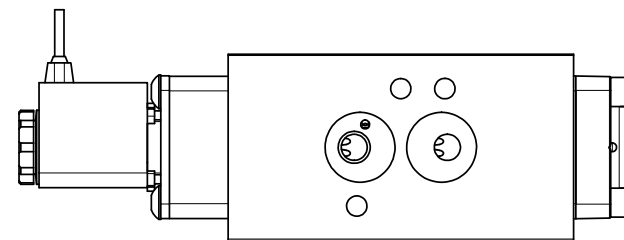
3/8

2

1.260



1 9/32

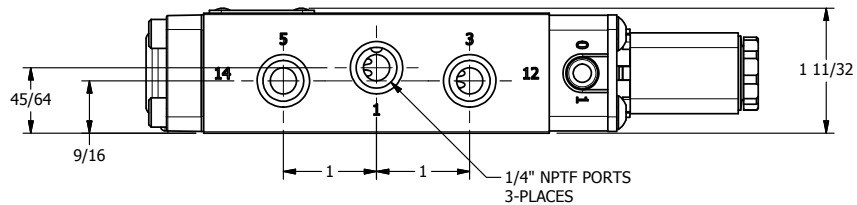


B

B

A

A

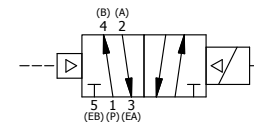


45/64

9/16

1 11/32

1/4" NPTF PORTS  
3-PLACES



**AAA**  
PRODUCTS  
INTERNATIONAL

**AAA PRODUCTS  
INTERNATIONAL**  
7114 Harry Hines Blvd  
Dallas, TX 75235

TITLE: 1/4" NAMUR, SNGL SOL, 2 POS,  
FRICTION POS, PILOT RETURN,  
FLYING LEAD, EXT PILOT

DRAWING NO.:  
DIM\_NSR2MZ

4

3

2

1

THE INFORMATION CONTAINED WITHIN THIS DOCUMENT IS PROPRIETARY TO AAA PRODUCTS AND MAY NOT BE DISCLOSED WITHOUT PRIOR WRITTEN CONSENT