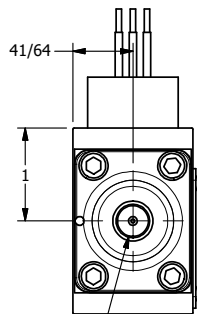
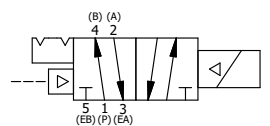
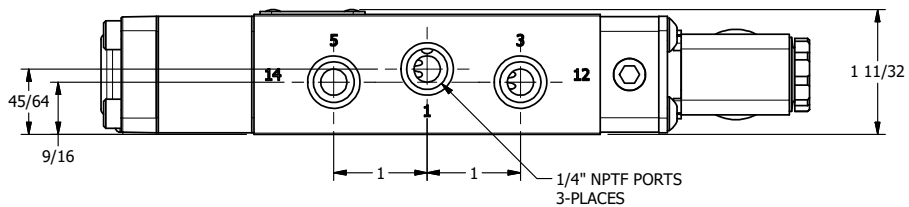
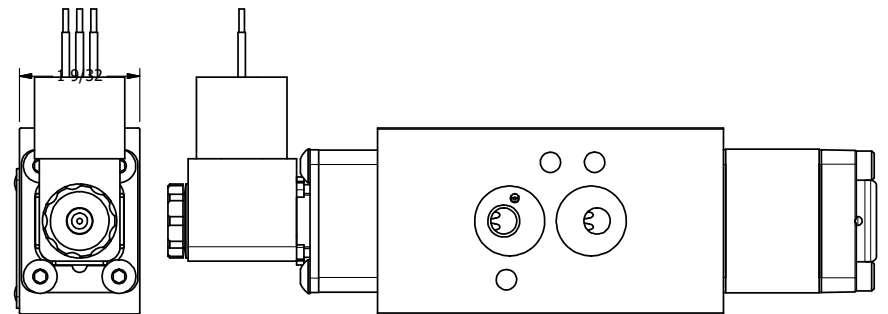
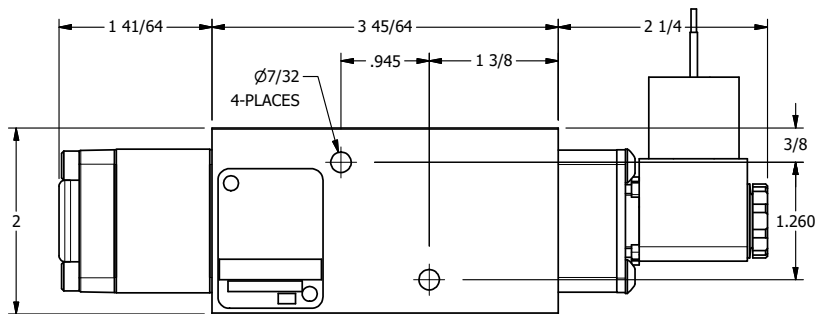


1/2"-14 NPT CONDUIT CONNECTION  
18" LEADS, 3 WIRE



1/8" NPTF PILOT PORT



**AAA**  
PRODUCTS  
INTERNATIONAL

**AAA PRODUCTS  
INTERNATIONAL**  
7114 Harry Hines Blvd  
Dallas, TX 75235

TITLE: 1/4" NAMUR, SNGL SOL, 2 POS,  
DETENT, PILOT RETURN, MOLD-OVER

DRAWING NO.:  
DIM\_NSR2JQ

THE INFORMATION CONTAINED WITHIN THIS DOCUMENT IS PROPRIETARY TO AAA PRODUCTS AND MAY NOT BE DISCLOSED WITHOUT PRIOR WRITTEN CONSENT