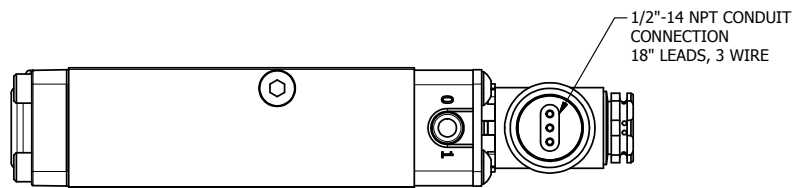


4

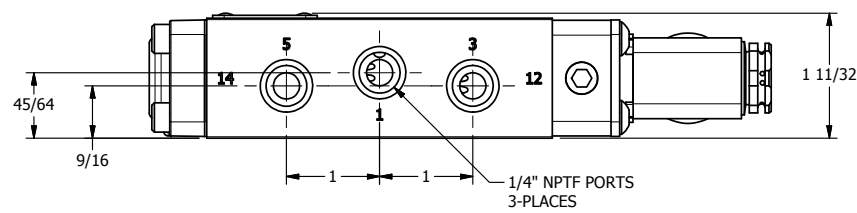
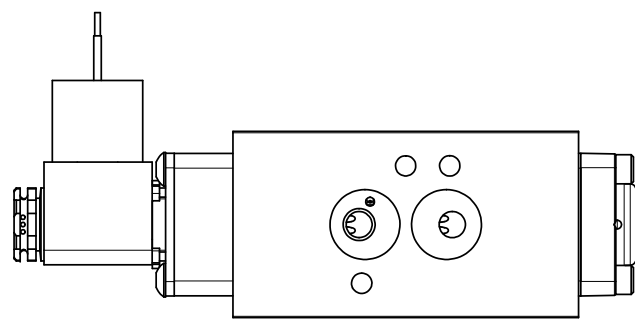
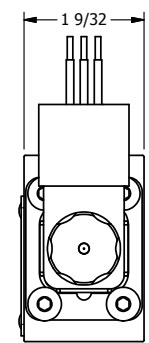
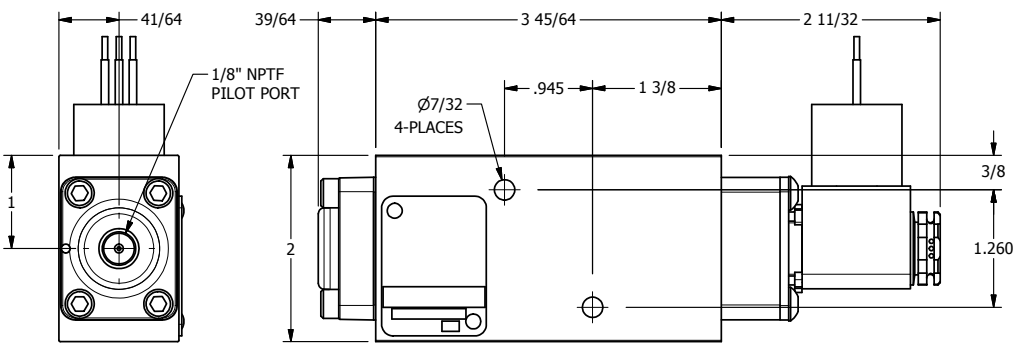
3

2

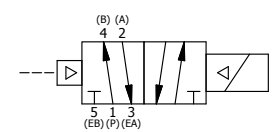
1



1/2"-14 NPT CONDUIT CONNECTION
18" LEADS, 3 WIRE



1/4" NPTF PORTS
3-PLACES



AAA
PRODUCTS
INTERNATIONAL

AAA PRODUCTS INTERNATIONAL
7114 Harry Hines Blvd
Dallas, TX 75235

TITLE: 1/4" NAMUR, SNGL SOL, 2 POS,
FRICTION POS, PILOT RTRN,
MOLD-OVER, SIDE VENT

DRAWING NO.:
DIM_NSR2JC

4

3

2

1

THE INFORMATION CONTAINED WITHIN THIS DOCUMENT IS PROPRIETARY TO AAA PRODUCTS AND MAY NOT BE DISCLOSED WITHOUT PRIOR WRITTEN CONSENT