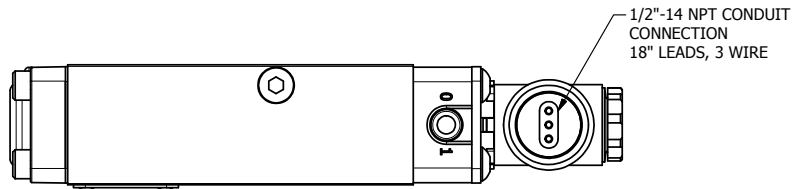


4

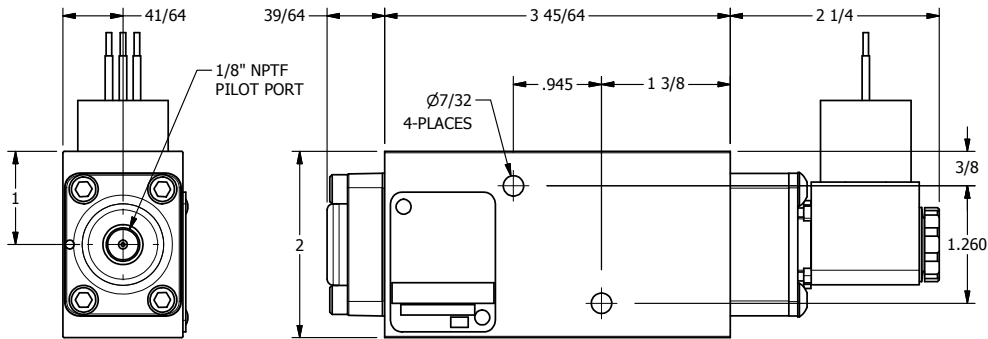
3

2

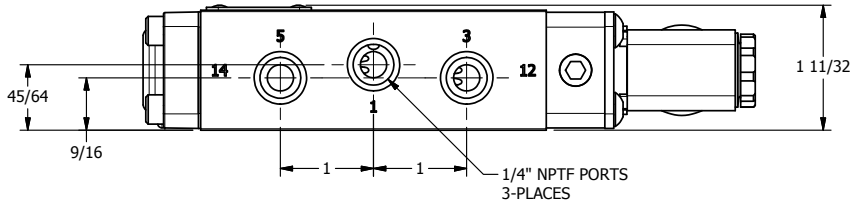
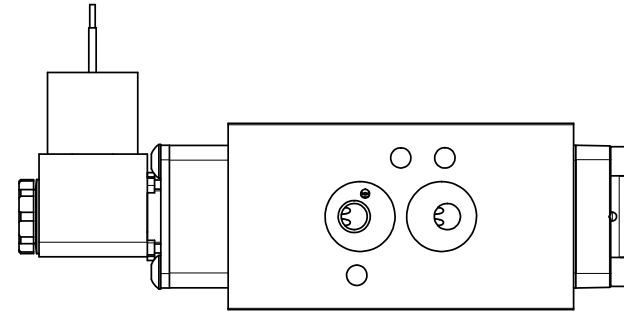
1



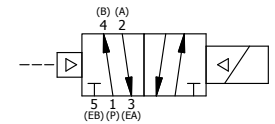
1/2"-14 NPT CONDUIT CONNECTION
18" LEADS, 3 WIRE



41/64
39/64
3 45/64
2 1/4
1/8" NPTF PILOT PORT
Ø7/32 4-PLACES
.945
1 3/8
3/8
2
1.260
1 9/32



45/64
9/16
1
1
1 11/32
1/4" NPTF PORTS 3-PLACES



AAA
PRODUCTS
INTERNATIONAL
AAA PRODUCTS
INTERNATIONAL
7114 Harry Hines Blvd
Dallas, TX 75235

TITLE: 1/4" NAMUR, SNGL SOL, 2 POS,
FRICTION POS, PILOT RTRN,
MOLD-OVER

DRAWING NO.:
DIM_NSR2J

4

3

2

1

THE INFORMATION CONTAINED WITHIN THIS DOCUMENT IS PROPRIETARY TO AAA PRODUCTS AND MAY NOT BE DISCLOSED WITHOUT PRIOR WRITTEN CONSENT