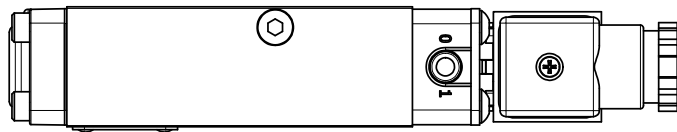


4

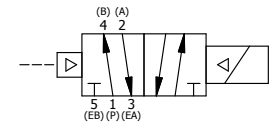
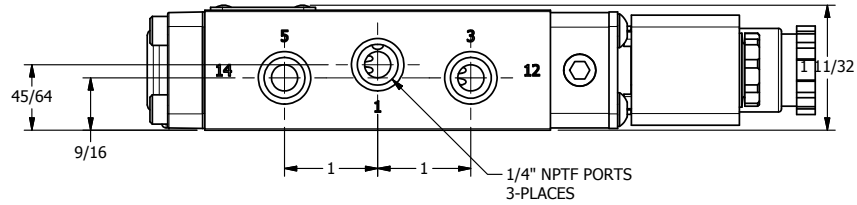
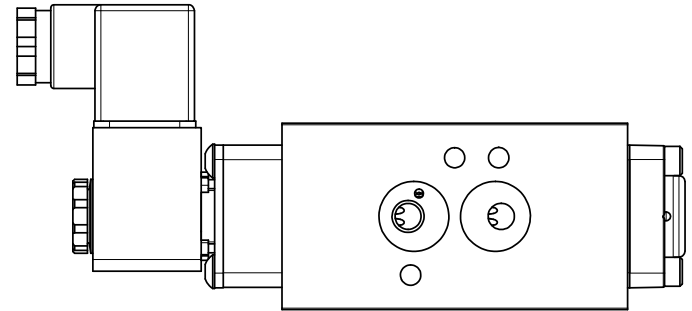
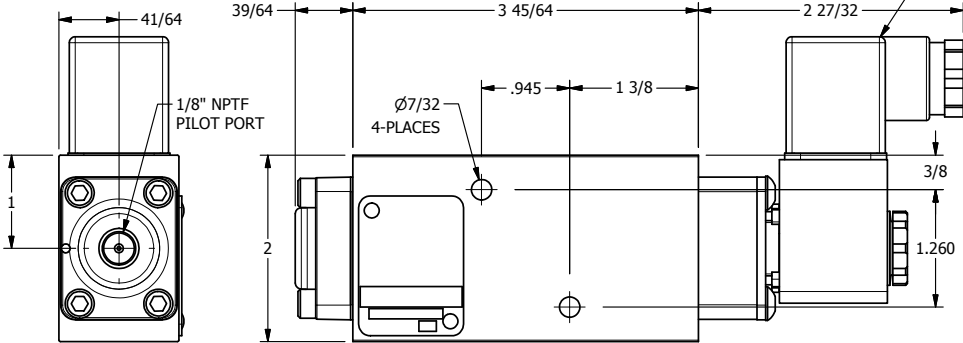
3

2

1



3/8" CORD GRIP DIN CAP INCLUDED  
FORM A, ACC. TO EN 175301-803,  
ISO 4400



**AAA**  
PRODUCTS  
INTERNATIONAL  
AAA PRODUCTS  
INTERNATIONAL  
7114 Harry Hines Blvd  
Dallas, TX 75235

TITLE: 1/4" NAMUR, SNGL SOL, 2 POS,  
FRICTION POS, PILOT RETURN,  
INTRINSICALLY SAFE, 24VDC

DRAWING NO.:  
DIM\_NSR2A

4

3

2

1

THE INFORMATION CONTAINED WITHIN THIS DOCUMENT IS PROPRIETARY TO AAA PRODUCTS AND MAY NOT BE DISCLOSED WITHOUT PRIOR WRITTEN CONSENT