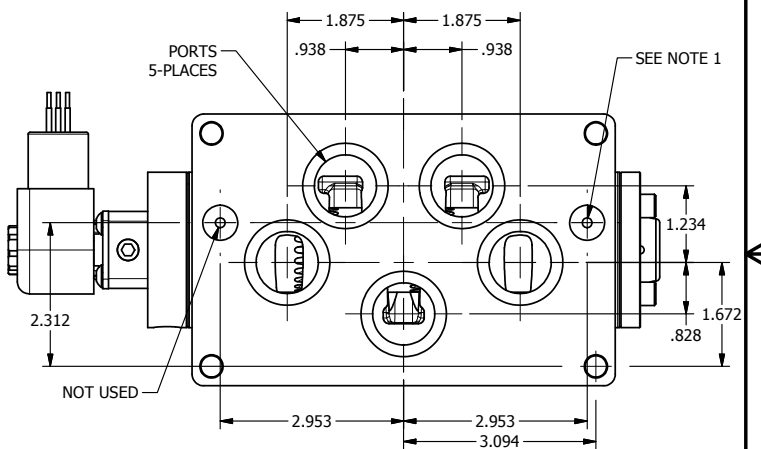
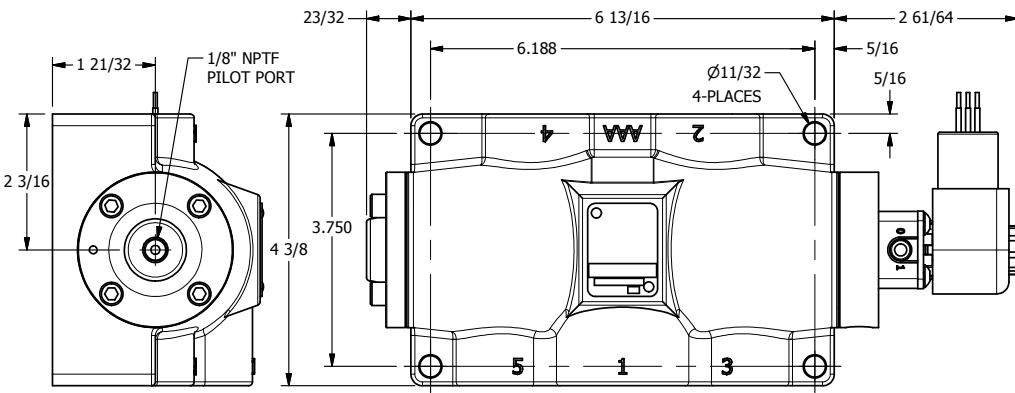
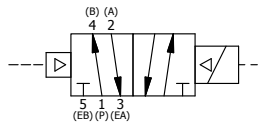
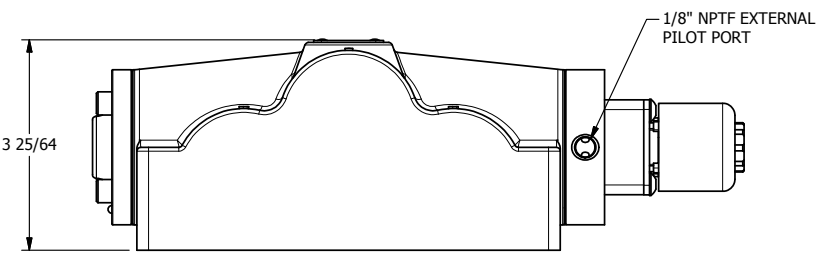


1/2"-14 NPT CONDUIT CONNECTION  
18" LEADS, 3 WIRE



NOTES:  
1) REMOTE PILOT CAN BE ROUTED THROUGH SUBPLATE CONNECTION.



<p><b>AAA PRODUCTS INTERNATIONAL</b> 7114 Harry Hines Blvd Dallas, TX 75235</p>	<p>TITLE: 1" SUBPLATE, SNGL SOL, 2 POS, FRICTION POS, PILOT RTRN, EXPL PROOF, EXT PILOT</p>	<p>DRAWING NO.: DIM_ESR8PXZ</p>
---	---	-------------------------------------

THE INFORMATION CONTAINED WITHIN THIS DOCUMENT IS PROPRIETARY TO AAA PRODUCTS AND MAY NOT BE DISCLOSED WITHOUT PRIOR WRITTEN CONSENT