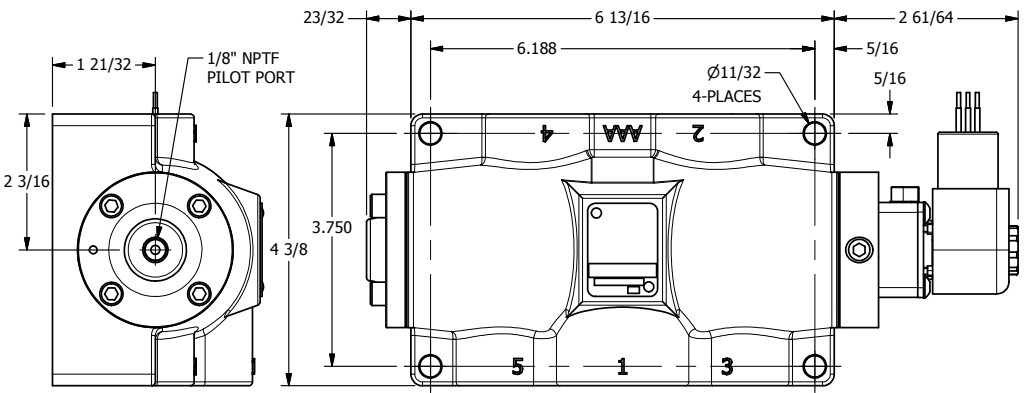
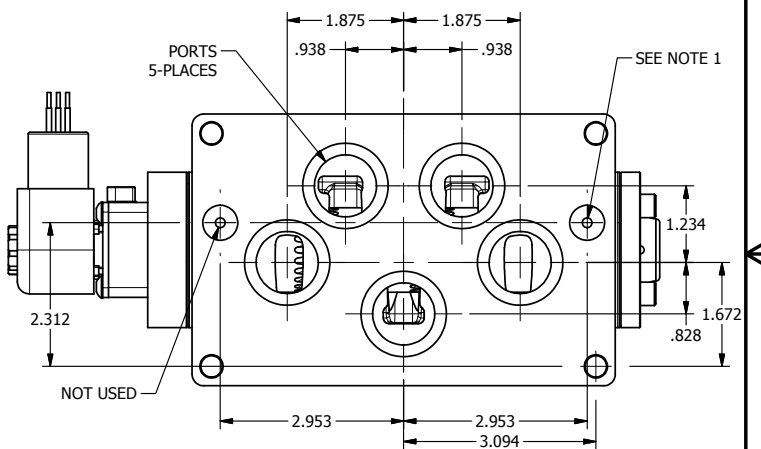


1/2" NPT
CONDUIT CONNECTION



1/8" NPTF
PILOT PORT

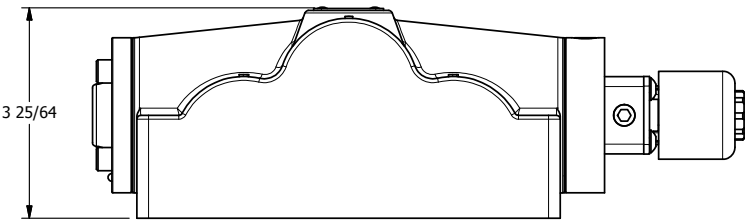
Ø11/32
4-PLACES



PORTS
5-PLACES

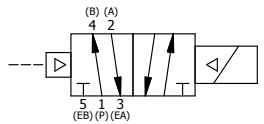
SEE NOTE 1

NOT USED



3 25/64

NOTES:
1) REMOTE PILOT CAN BE ROUTED THROUGH SUBPLATE CONNECTION.



AAA
PRODUCTS
INTERNATIONAL

**AAA PRODUCTS
INTERNATIONAL**
7114 Harry Hines Blvd
Dallas, TX 75235

TITLE: 1" SUBPLATE, SNGL SOL, 2 POS,
FRICTION POS, PILOT RTRN,
EXPLOSION PROOF, LCKNG OVRD

DRAWING NO.:
DIM_ESR8PXO

THE INFORMATION CONTAINED WITHIN THIS DOCUMENT IS PROPRIETARY TO AAA PRODUCTS AND MAY NOT BE DISCLOSED WITHOUT PRIOR WRITTEN CONSENT