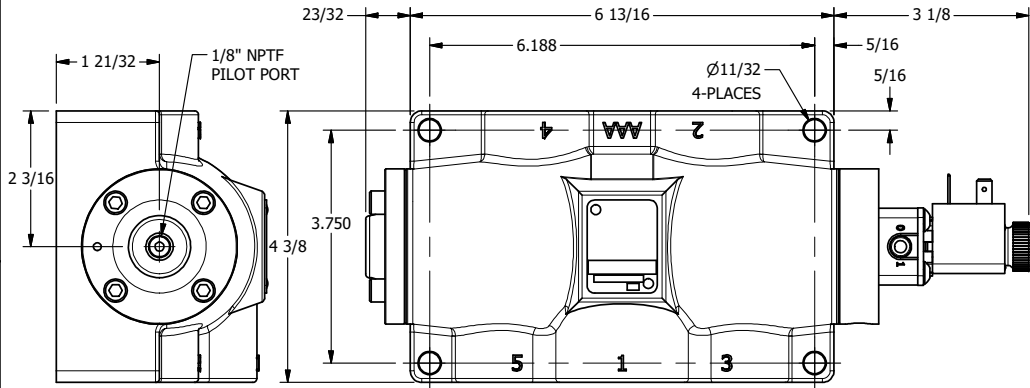


11mm/INDUSTRIAL TYPE B  
DIN 43650 STYLE



23/32 6 13/16 3 1/8

1 21/32 1/8" NPTF  
PILOT PORT

Ø11/32  
4-PLACES

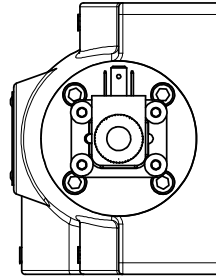
2 3/16

4 3/8

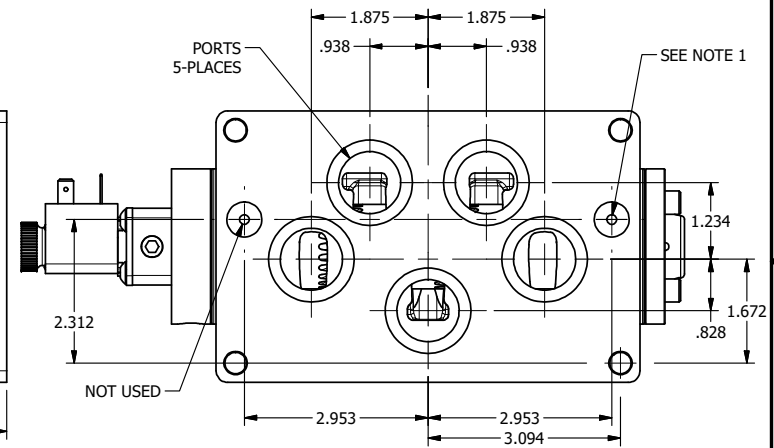
3.750

5/16

5/16



1 21/32



PORTS  
5-PLACES

SEE NOTE 1

NOT USED

2.312

1.875 1.875

.938 .938

1.234

1.672

.828

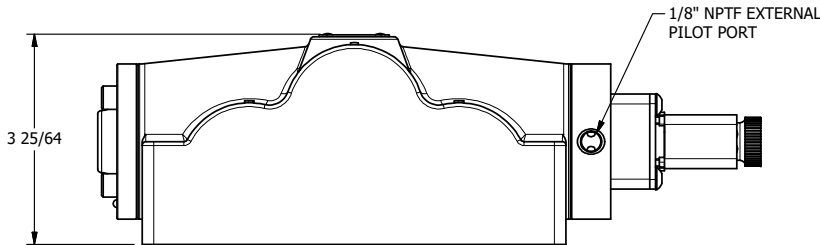
2.953

2.953

3.094

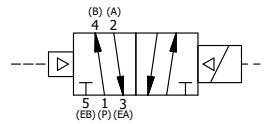
NOTES:

1) REMOTE PILOT CAN BE ROUTED THROUGH SUBPLATE CONNECTION.



1/8" NPTF EXTERNAL  
PILOT PORT

3 25/64



TITLE: 1" SUBPLATE, SNGL SOL, 2 POS,  
FRICTION POS, PILOT RTRN,  
DUST EXCLDR, EXT PILOT

DRAWING NO.:  
DIM\_ESR8PLZ

THE INFORMATION CONTAINED WITHIN THIS DOCUMENT IS PROPRIETARY TO AAA PRODUCTS AND MAY NOT BE DISCLOSED WITHOUT PRIOR WRITTEN CONSENT