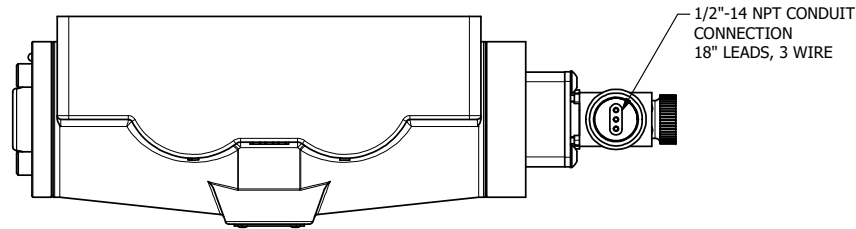


4

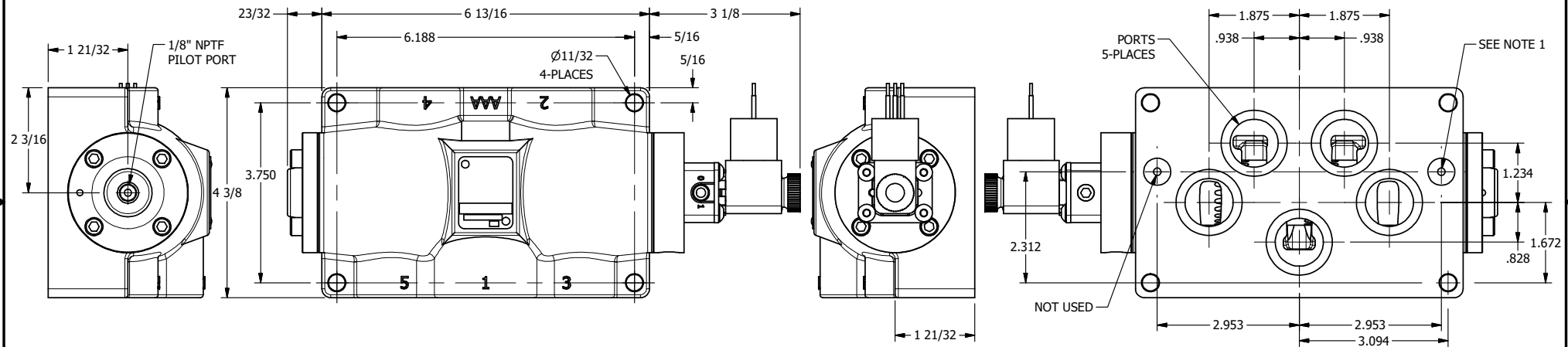
3

2

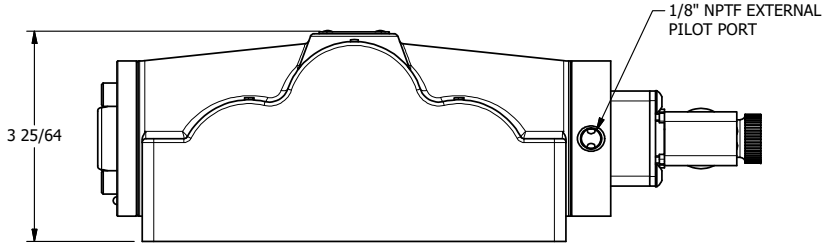
1



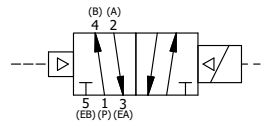
1/2"-14 NPT CONDUIT CONNECTION
18" LEADS, 3 WIRE



NOTES:
1) REMOTE PILOT CAN BE ROUTED THROUGH SUBPLATE CONNECTION.



1/8" NPTF EXTERNAL PILOT PORT



AAA
PRODUCTS
INTERNATIONAL

**AAA PRODUCTS
INTERNATIONAL**
7114 Harry Hines Blvd
Dallas, TX 75235

TITLE: 1" SUBPLATE, SNGL SOL, 2 POS,
PILOT RTRN, MOLD-OVER,
DUST EXCLDR, EXT PILOT

DRAWING NO.:
DIM_ESR8PJLZ

4

3

2

THE INFORMATION CONTAINED WITHIN THIS DOCUMENT IS PROPRIETARY TO AAA PRODUCTS AND MAY NOT BE DISCLOSED WITHOUT PRIOR WRITTEN CONSENT