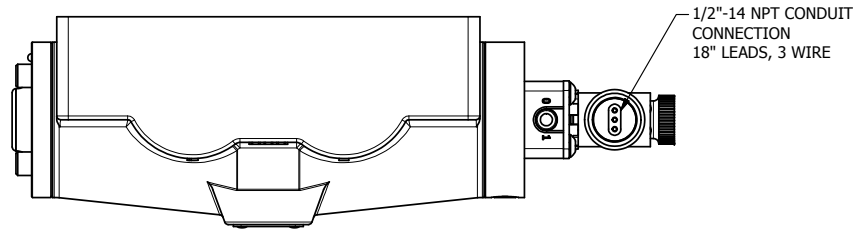


4

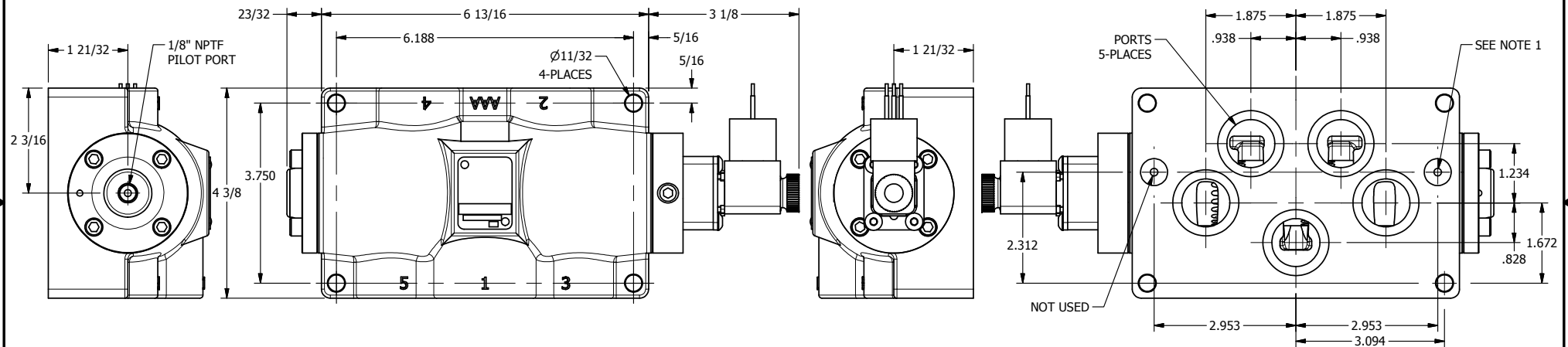
3

2

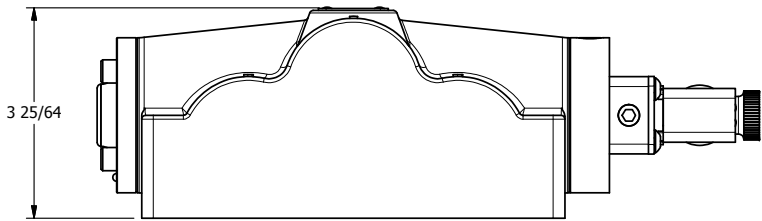
1



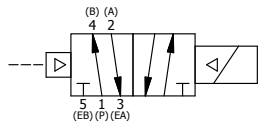
1/2"-14 NPT CONDUIT CONNECTION  
18" LEADS, 3 WIRE



NOTES:  
1) REMOTE PILOT CAN BE ROUTED THROUGH SUBPLATE CONNECTION.



3 25/64



**AAA**  
PRODUCTS  
INTERNATIONAL  
AAA PRODUCTS  
INTERNATIONAL  
7114 Harry Hines Blvd  
Dallas, TX 75235

TITLE: 1" SUBPLATE, SNGL SOL, 2 POS,  
FRICTION POS, PILOT RTRN,  
MOLD-OVER, DUST EXCLDR

DRAWING NO.:  
DIM\_ESR8PJL

THE INFORMATION CONTAINED WITHIN THIS DOCUMENT IS PROPRIETARY TO AAA PRODUCTS AND MAY NOT BE DISCLOSED WITHOUT PRIOR WRITTEN CONSENT

4

3

2

1