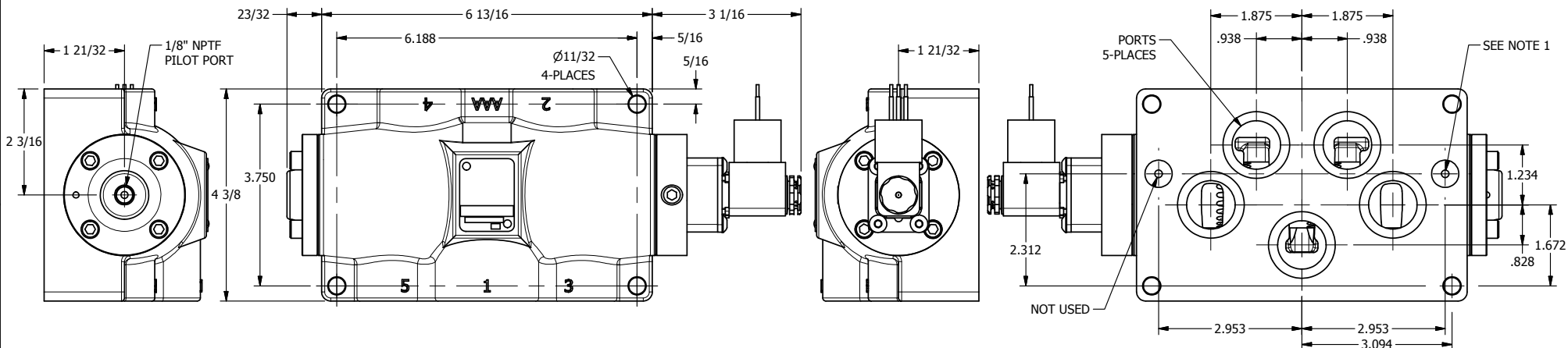
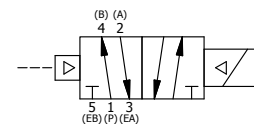


1/2"-14 NPT CONDUIT CONNECTION
18" LEADS, 3 WIRE



NOTES:
1) REMOTE PILOT CAN BE ROUTED THROUGH SUBPLATE CONNECTION.



AAA
PRODUCTS
INTERNATIONAL

AAA PRODUCTS INTERNATIONAL
7114 Harry Hines Blvd
Dallas, TX 75235

TITLE: 1" SUBPLATE, SNGL SOL, 2 POS,
FRICTION POS, PILOT RTRN,
MOLD-OVER, SIDE VENT

DRAWING NO.:
DIM_ESR8PJC

THE INFORMATION CONTAINED WITHIN THIS DOCUMENT IS PROPRIETARY TO AAA PRODUCTS AND MAY NOT BE DISCLOSED WITHOUT PRIOR WRITTEN CONSENT