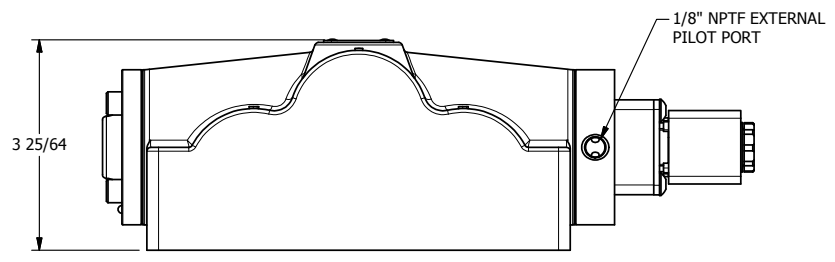
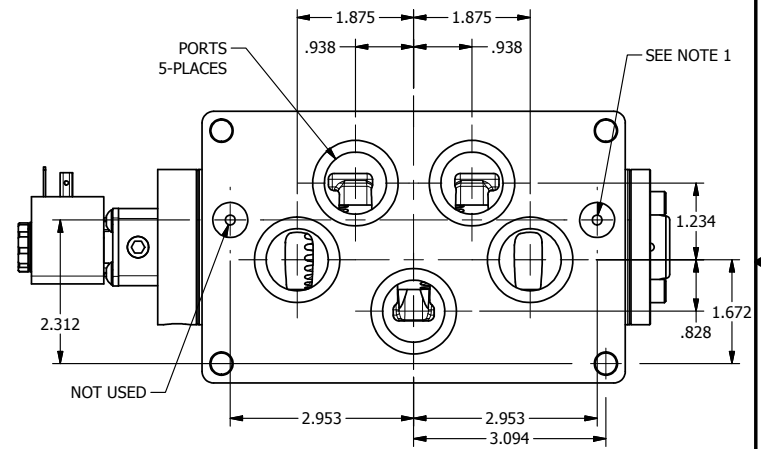
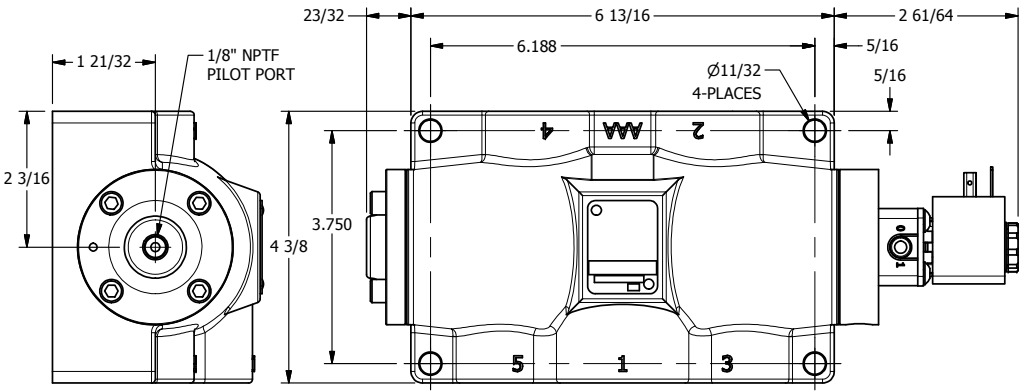
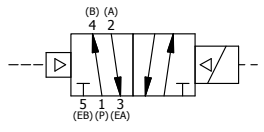


ISO 4400 DIN CONNECTOR



NOTES:  
1) REMOTE PILOT CAN BE ROUTED THROUGH SUBPLATE CONNECTION.



**AAA**  
PRODUCTS  
INTERNATIONAL

**AAA PRODUCTS INTERNATIONAL**  
7114 Harry Hines Blvd  
Dallas, TX 75235

TITLE: 1" SUBPLATE, SNGL SOL, 2 POS,  
FRICTION POS, PILOT RTRN,  
HIGH TEMP COIL, EXT PILOT

DRAWING NO.:  
DIM\_ESR8PHZ

THE INFORMATION CONTAINED WITHIN THIS DOCUMENT IS PROPRIETARY TO AAA PRODUCTS AND MAY NOT BE DISCLOSED WITHOUT PRIOR WRITTEN CONSENT