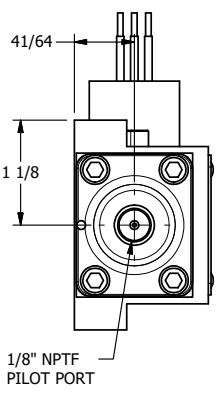
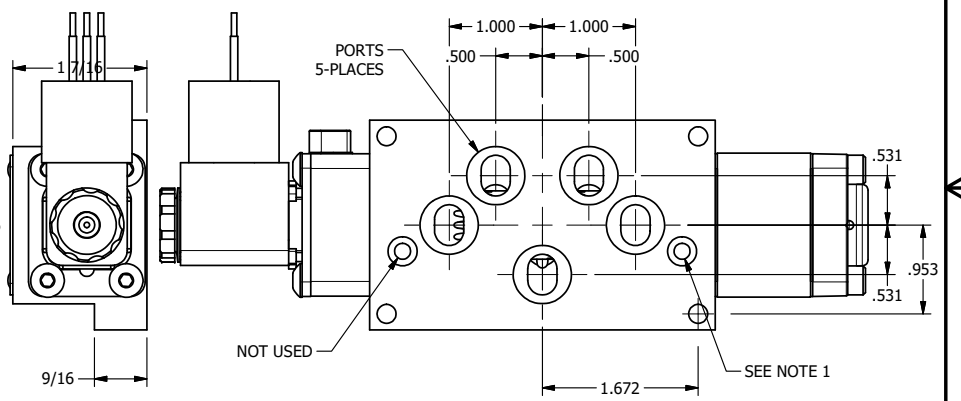
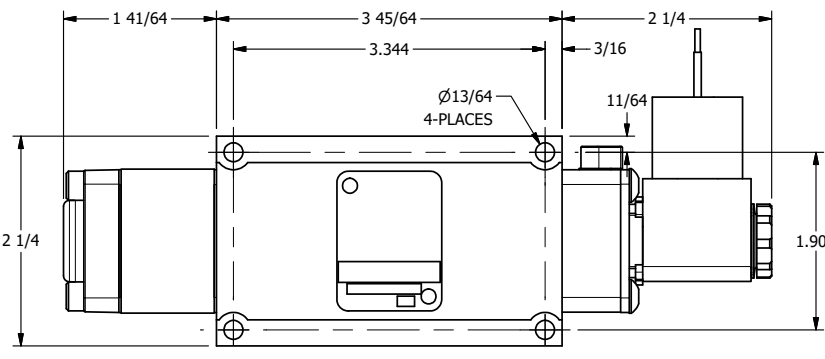


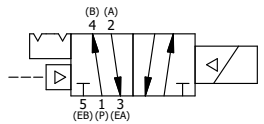
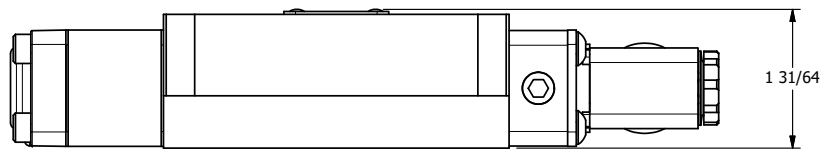
1/2"-14 NPT CONDUIT CONNECTION  
18" LEADS, 3 WIRE



1/8" NPTF PILOT PORT



NOTES:  
1) REMOTE PILOT CAN BE ROUTED THROUGH SUBPLATE CONNECTION.



**AAA**  
PRODUCTS  
INTERNATIONAL

**AAA PRODUCTS INTERNATIONAL**  
7114 Harry Hines Blvd  
Dallas, TX 75235

TITLE: 3/8" SUBPLATE, SNGL SOL, 2 POS,  
DETENT, PLT RTRN, MOLD-OVER,  
LCKNG OVRD

DRAWING NO.:  
DIM\_ESR3PJOQ

THE INFORMATION CONTAINED WITHIN THIS DOCUMENT IS PROPRIETARY TO AAA PRODUCTS AND MAY NOT BE DISCLOSED WITHOUT PRIOR WRITTEN CONSENT