

4

3

2

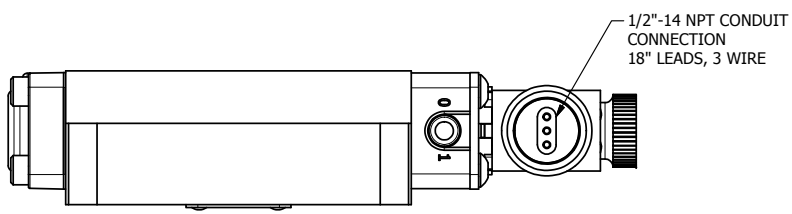
1

B

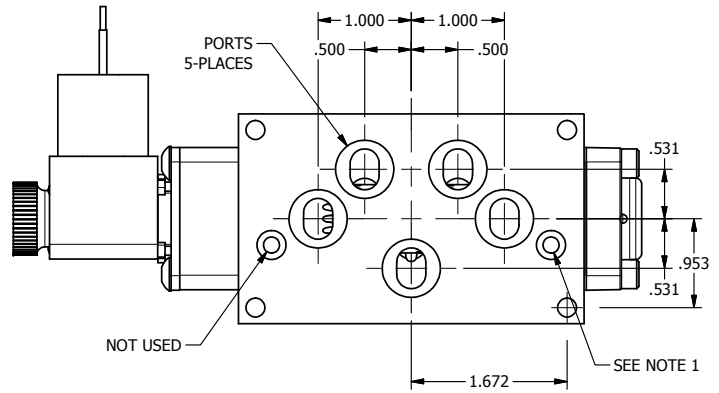
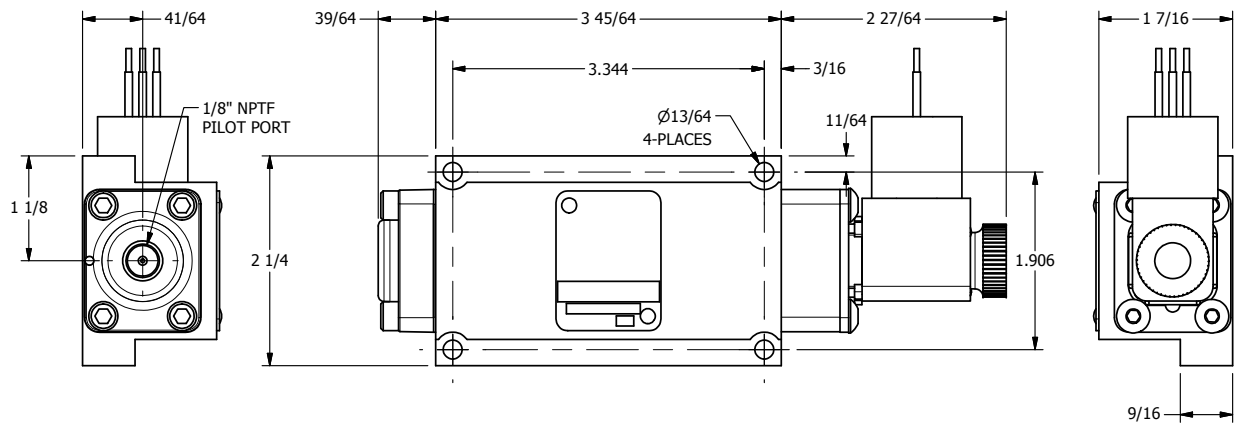
B

A

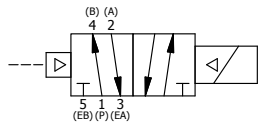
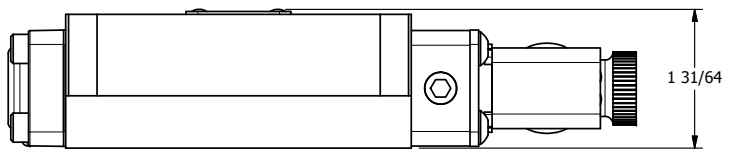
A



1/2"-14 NPT CONDUIT CONNECTION  
18" LEADS, 3 WIRE



NOTES:  
1) REMOTE PILOT CAN BE ROUTED THROUGH SUBPLATE CONNECTION.



**AAA**  
PRODUCTS  
INTERNATIONAL

**AAA PRODUCTS  
INTERNATIONAL**  
7114 Harry Hines Blvd  
Dallas, TX 75235

TITLE **5/8" SUBPLATE, SNGL SOL, 2 POS,  
FRICTION POS, PILOT RTRN,  
MOLD-OVER, DUST EXCLDR**

DRAWING NO.:  
**DIM\_ESR3PJL**

THE INFORMATION CONTAINED WITHIN THIS DOCUMENT IS PROPRIETARY TO AAA PRODUCTS AND MAY NOT BE DISCLOSED WITHOUT PRIOR WRITTEN CONSENT