

4

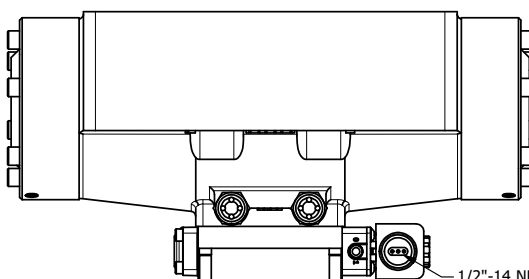
3

2

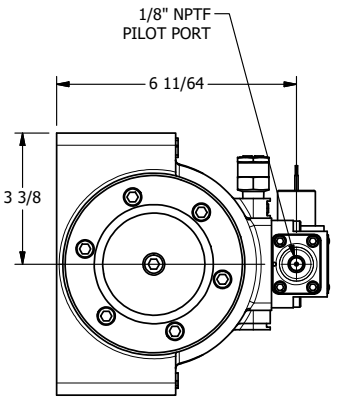
1

B

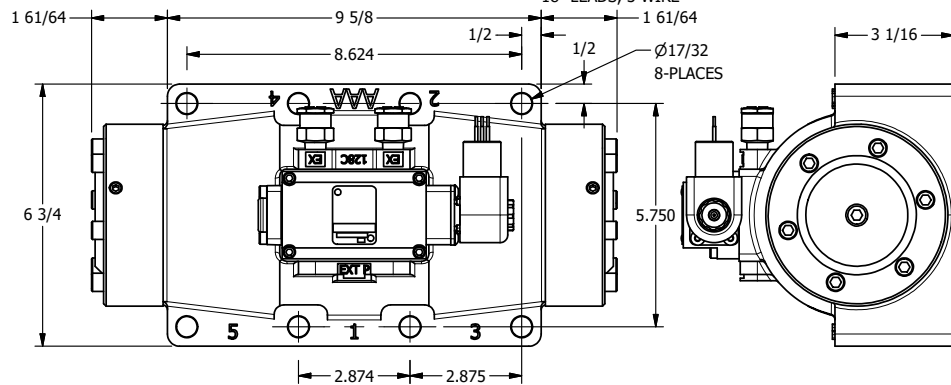
B



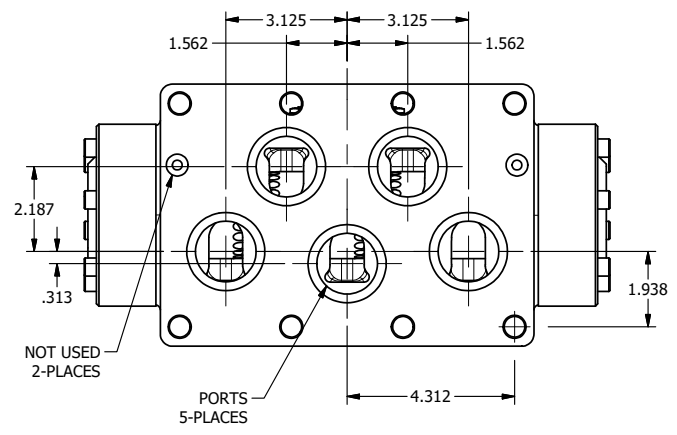
1/2"-14 NPT CONDUIT CONNECTION
18" LEADS, 3 WIRE



1/8" NPTF PILOT PORT

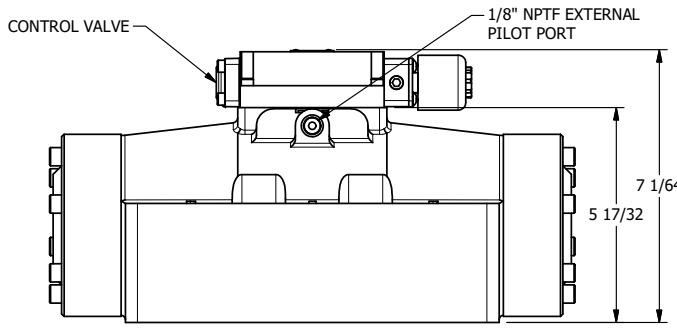


Ø17/32
8-PLACES



NOT USED
2-PLACES

PORTS
5-PLACES

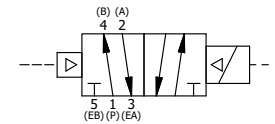


CONTROL VALVE

1/8" NPTF EXTERNAL PILOT PORT

A

A



AAA
PRODUCTS
INTERNATIONAL

AAA PRODUCTS INTERNATIONAL
7114 Harry Hines Blvd
Dallas, TX 75235

TITLE: 2" SUBPLATE, SNGL SOL, 2 POS,
FRICTION POS, PILOT RTRN,
EXPL PROOF, EXT PILOT

DRAWING NO.:
DIM_ESR16PXZ

4

3

2

1



THE INFORMATION CONTAINED WITHIN THIS DOCUMENT IS PROPRIETARY TO AAA PRODUCTS AND MAY NOT BE DISCLOSED WITHOUT PRIOR WRITTEN CONSENT