

4

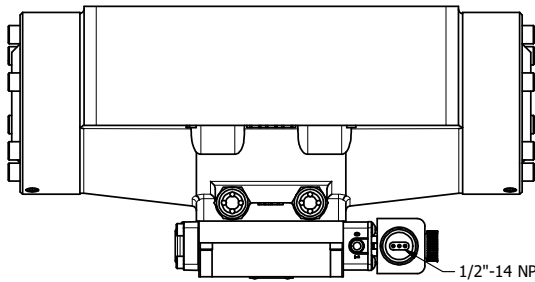
3

2

1

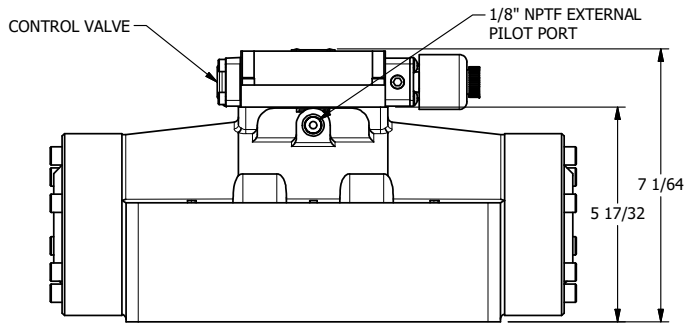
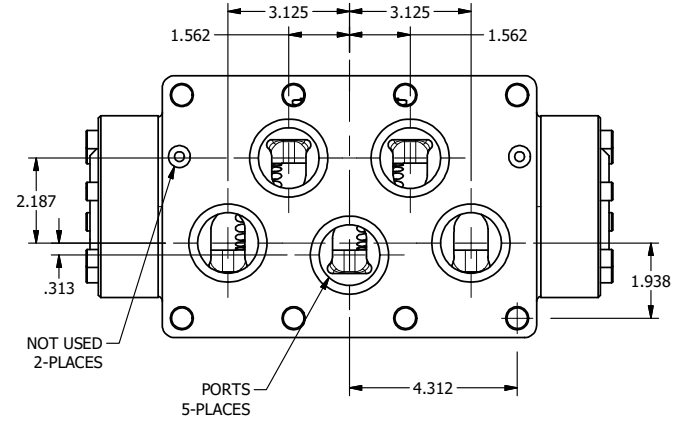
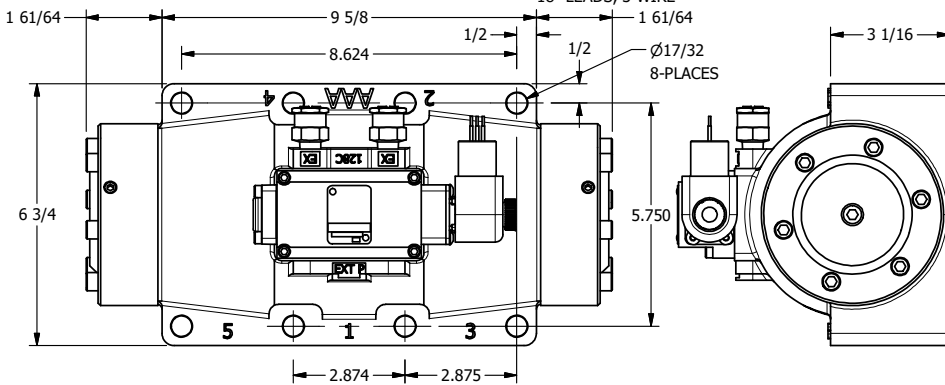
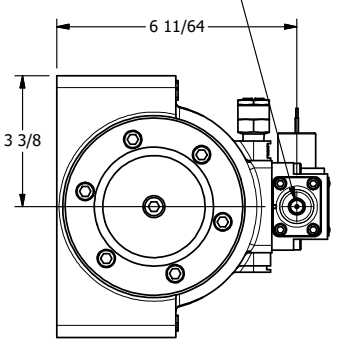
B

B



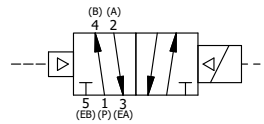
1/2"-14 NPT CONDUIT CONNECTION
18" LEADS, 3 WIRE

1/8" NPTF PILOT PORT



A

A



4

3

2

AAA
PRODUCTS
INTERNATIONAL

**AAA PRODUCTS
INTERNATIONAL**
7114 Harry Hines Blvd
Dallas, TX 75235

TITLE: 2" SUBPLATE, SNGL SOL, 2 POS,
PILOT RTRN, EXPL PROOF,
DUST EXCLDR, EXT PILOT

DRAWING NO.:
DIM_ESR16PXLZ

THE INFORMATION CONTAINED WITHIN THIS DOCUMENT IS PROPRIETARY TO AAA PRODUCTS AND MAY NOT BE DISCLOSED WITHOUT PRIOR WRITTEN CONSENT