

4

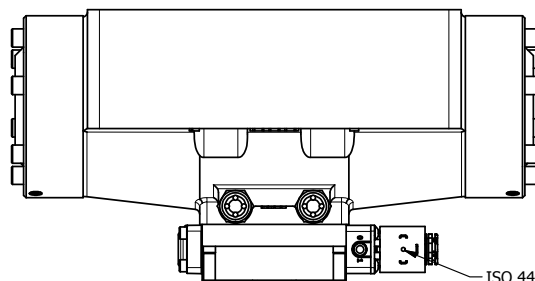
3

2

1

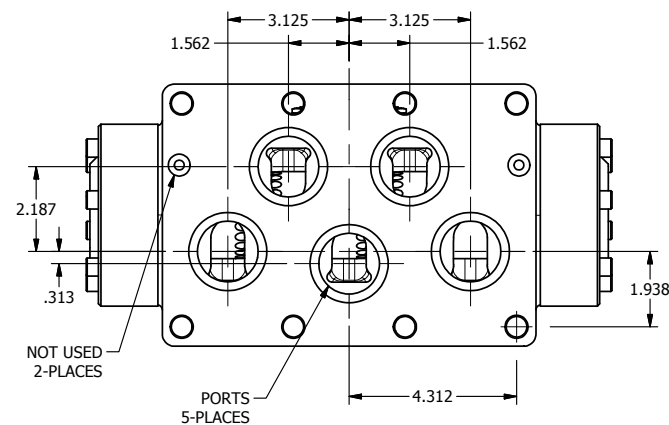
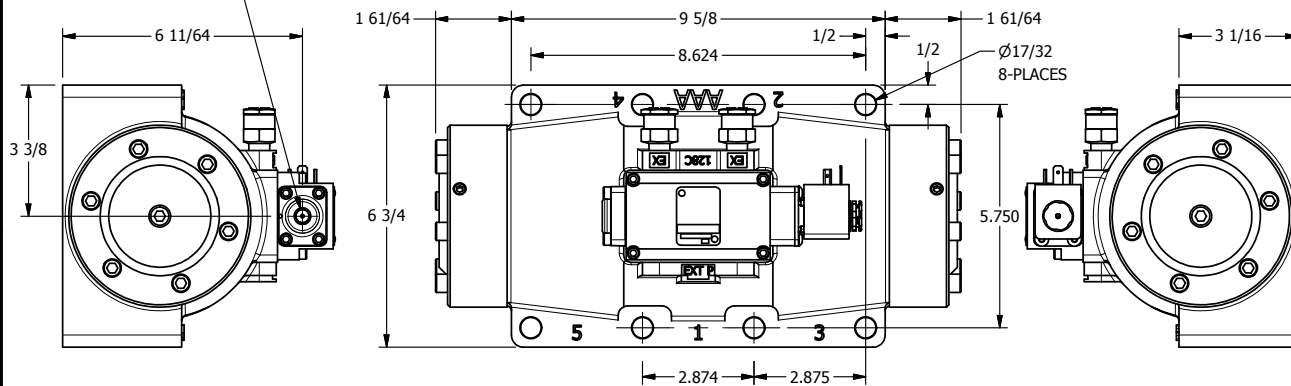
B

B

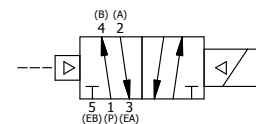
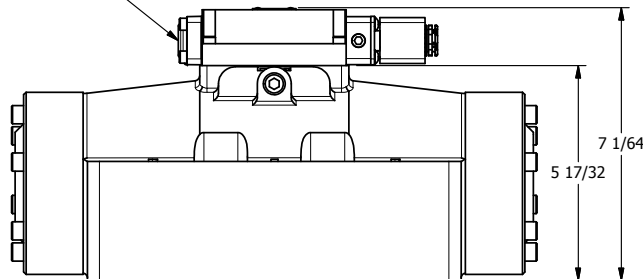


ISO 4400 DIN
CONNECTOR

1/8" NPTF
PILOT PORT



CONTROL VALVE



A

A

4

3

2

1

AAA
PRODUCTS
INTERNATIONAL
7114 Harry Hines Blvd
Dallas, TX 75235

TITLE: 2" SUBPLATE, SNGL SOL, 2 POS,
FRICTION POS, PILOT RTRN,
HIGH TEMP COIL, SIDE VENT

DRAWING NO.:
DIM_ESR16PHC

THE INFORMATION CONTAINED WITHIN THIS DOCUMENT IS PROPRIETARY TO AAA PRODUCTS AND MAY NOT BE DISCLOSED WITHOUT PRIOR WRITTEN CONSENT