

4

3

2

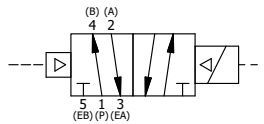
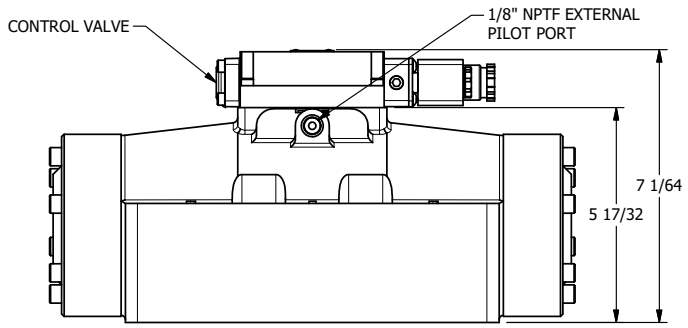
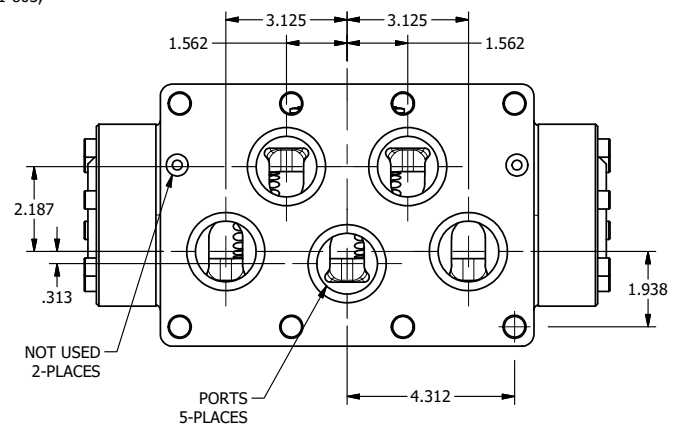
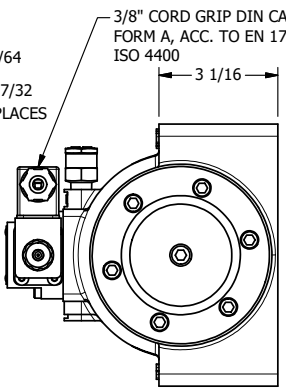
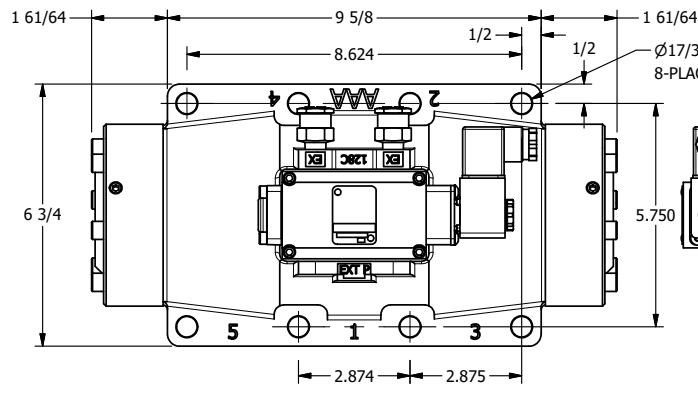
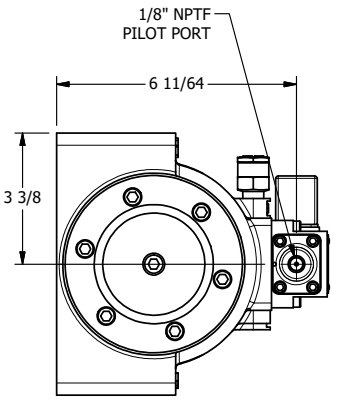
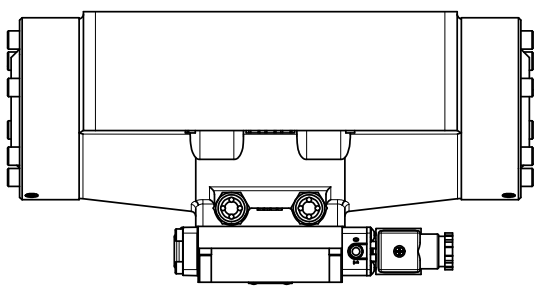
1

B

B

A

A



**AAA**  
PRODUCTS  
INTERNATIONAL

**AAA PRODUCTS INTERNATIONAL**  
7114 Harry Hines Blvd  
Dallas, TX 75235

TITLE: 2" SUBPLATE, SNGL SOL, 2 POS,  
FRICTION POS, PILOT RTRN,  
INTRINSICALLY SAFE, EXT PILOT

DRAWING NO.:  
DIM\_ESR16PAZ

THE INFORMATION CONTAINED WITHIN THIS DOCUMENT IS PROPRIETARY TO AAA PRODUCTS AND MAY NOT BE DISCLOSED WITHOUT PRIOR WRITTEN CONSENT