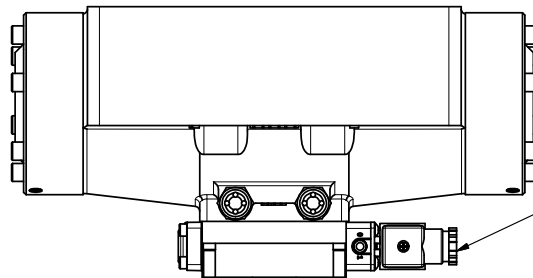


4

3

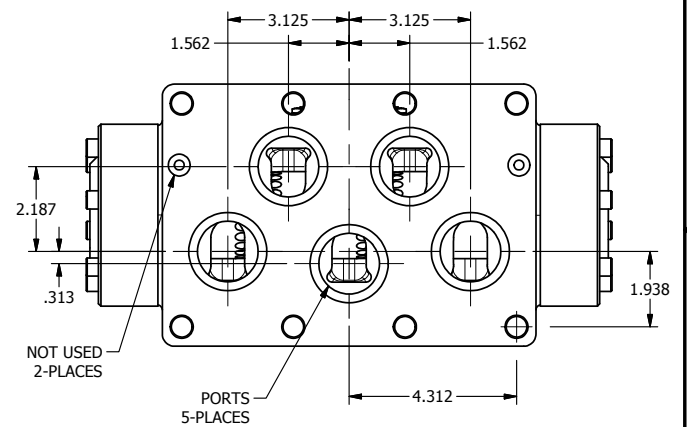
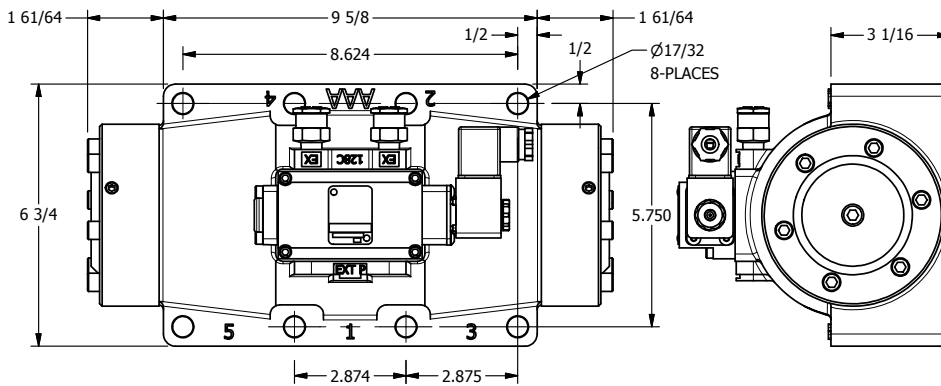
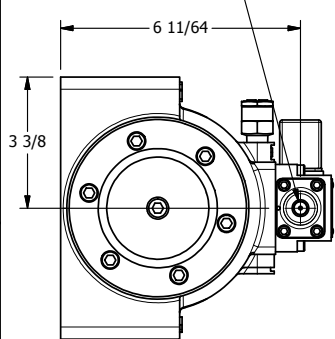
2

1

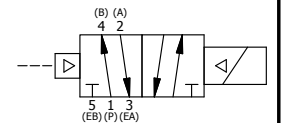
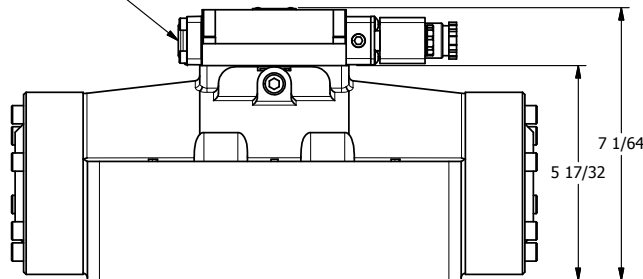


3/8" CORD GRIP DIN CAP INCLUDED  
FORM A, ACC. TO EN 175301-803,  
ISO 4400

1/8" NPTF  
PILOT PORT



CONTROL VALVE



**AAA**  
PRODUCTS  
INTERNATIONAL

**AAA PRODUCTS  
INTERNATIONAL**  
7114 Harry Hines Blvd  
Dallas, TX 75235

TITLE: 2" SUBPLATE, SNGL SOL, 2 POS,  
FRICTION POS, PILOT RTRN,  
INTRINSICALLY SAFE, 24VDC

DRAWING NO.:  
DIM\_ESR16PA

THE INFORMATION CONTAINED WITHIN THIS DOCUMENT IS PROPRIETARY TO AAA PRODUCTS AND MAY NOT BE DISCLOSED WITHOUT PRIOR WRITTEN CONSENT

4

3

2

1

B

B

A

A