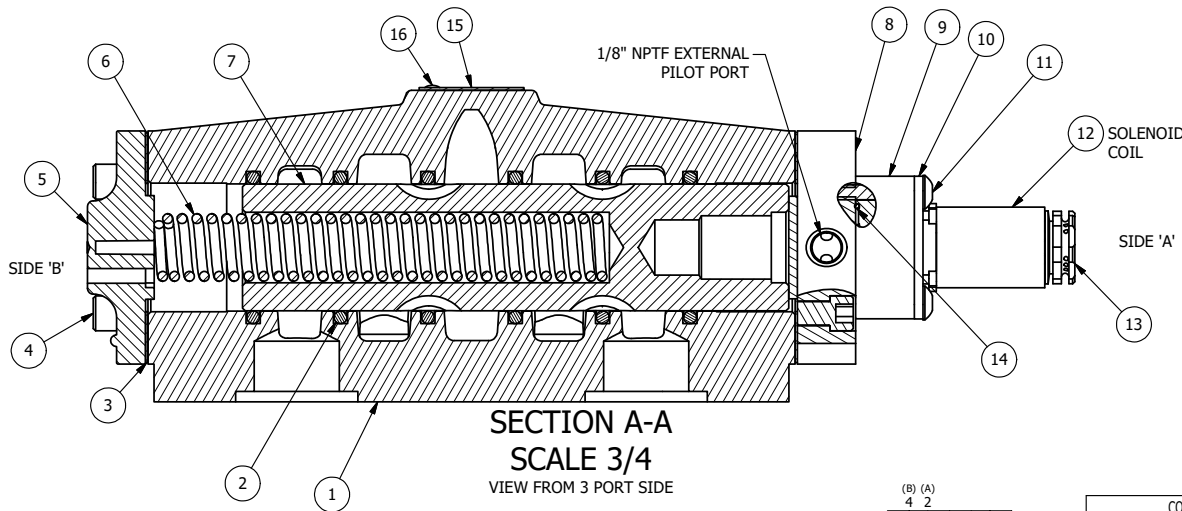


POSITION GASKET ON END OF VALVE SO GASKET COVERS PILOT HOLE, SIDE 'B' ONLY

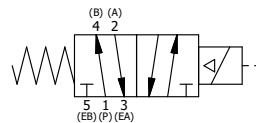
POSITION GASKET TO SEAL PILOT HOLE, BOTH SIDES. THE ROUND ALUMINUM ADAPTOR IS ROTATED 90 DEGREES. SUPPLY 50-160 PSI TO 1/8" NPTF PILOT PORT IN ADAPTOR.

NOTES:

- 1) ALWAYS GIVE VALVE MODEL AND PART NUMBER WHEN ORDERING PARTS.
- 2) FOR DIFFERENT VOLTAGES OTHER THAN 120/60, REPLACE SOLENOID COIL WITH COIL LISTED IN TABLE BELOW.



SECTION A-A  
SCALE 3/4  
VIEW FROM 3 PORT SIDE



| COIL VOLTAGES   |              |
|-----------------|--------------|
| PART NO         | REPLACE COIL |
| ESO8PMCZ 12VDC  | V-569-2      |
| ESO8PMCZ 24VDC  | V-569-3      |
| ESO8PMCZ 240/60 | V-569-4      |

|     |     |          |                                                                               |
|-----|-----|----------|-------------------------------------------------------------------------------|
| 17  | 1   | SPK-8    | KIT - SUBPLATE MOUNT, 1" SUBPLATE VALVES                                      |
| 16  | 2   | V-212    | SCREW, #2 X 3/16 DRIVE, TYPE U, OVAL HEAD, STAINLESS STEEL                    |
| 15  | 1   | AN-114   | NAMEPLATE, BLANK, FOR VALVES WITH SPRINGS OR DETENTS                          |
| 14  | 1   | EMG3     | GASKET - END MOUNT SOLENOID, BUNA-N, 1/4" & 3/8" VALVES                       |
| 13  | 1   | V-562    | NUT, SOLENOID, SIDE EXHAUST                                                   |
| 12  | 1   | V-569-1  | SYSTEM 8 COIL 120 50/60.NASS # 0561 38.1 00/4984.                             |
| 11  | 4   | V-584    | SCREW, 10-24 X 1, BUTTON HEAD SOCKET CAP WITH MICROSPHERE APPLIED TO THREADS. |
| 10  | 1   | SEC3-7   | PLATE, RE-INFORCEMENT, SOLENOID, STAMPED, 304 STAINLESS                       |
| 9   | 1   | V-550-1  | SOL OPER, END MOUNT, NON-LOCKING O'RIDE                                       |
| 8   | 1   | SSA48-1E | ADAPTOR, END MNT SOLENOID, 1/2", 3/4" & 1" VALVE                              |
| 7   | 1   | S8       | SPOOL - STANDARD, 2 POS, CLSD CTR, 3/4" & 1" VALVE                            |
| 6   | 1   | CS8      | SPRING - RETURN, 3/4" & 1" VALVES                                             |
| 5   | 1   | PEC48-3  | END CAP, VENTED, 380 AL, 1/2", 3/4" & 1" VALVES                               |
| 4   | 8   | V-46     | SCREW, 1/4-20 X 3/4, SOCKET HEAD CAP                                          |
| 3   | 2   | ECG48    | GASKET - END CAP, 1/2", 3/4" & 1" VALVE                                       |
| 2   | 6   | V-30     | O-RING, BUNA-N, 70 DURO, AS-220, (REF 1-3/8 X 1-5/8 X 1/8), 3/4" & 1" VALVES  |
| 1   | 1   | BP8-1    | BODY, 1" SUBPLATE, UPPER PILOTS, ANODIZED                                     |
| FLG | QTY | PART NO  | DESCRIPTION                                                                   |

LIMITS ON DIMENSIONS  
UNLESS  
OTHERWISE SPECIFIED

2-PL DECIMAL ± .01  
3-PL DECIMAL ± .005  
FRACTIONAL ± 1/64  
ANGULAR ± 1/2°



DRAWN: RMckenna DATE: 3/5/2020

CHECKED: KWaite DATE: 3/5/2020

SCALE: 1 : 1 SHEET: 1 OF 1

RELEASED: HWomack DATE: 3/5/2020

TITLE:  
1" SUBPLATE, SNGL SOL, 2 POS,  
SPR RTRN, FLYING LEAD, 120/60,  
SIDE VENT, EXT PILOT

PART NO.:  
ESO8PMCZ  
REV.: