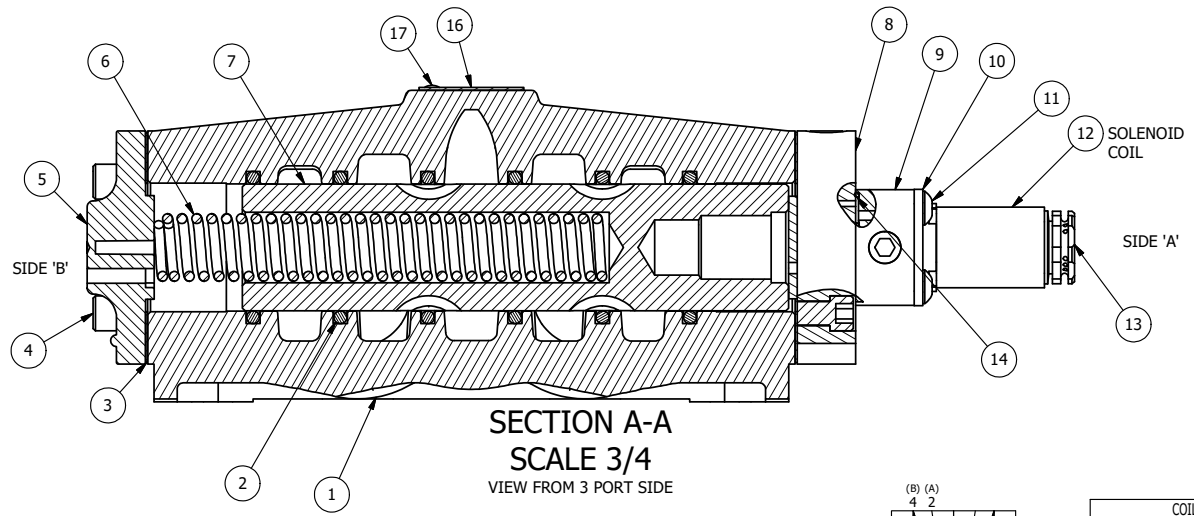


POSITION GASKET ON END OF VALVE SO GASKET COVERS PILOT HOLE, SIDE 'B' ONLY

ALIGN PILOT AND HOLE IN GASKET, SIDE 'A' ONLY FOR EXTERNAL PILOT OPERATION - ROTATE THE ROUND ALUMINUM ADAPTOR 180 DEGREES. REMOVE 1/8" NPTF PLUG AND SUPPLY 50-150 PSI TO 1/8" NPTF PILOT PORT IN ADAPTOR.

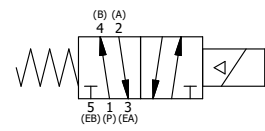
NOTES:

- 1) ALWAYS GIVE VALVE MODEL AND PART NUMBER WHEN ORDERING PARTS.
- 2) FOR DIFFERENT VOLTAGES OTHER THAN 120/60, REPLACE SOLENOID COIL WITH COIL LISTED IN TABLE BELOW.



SECTION A-A  
SCALE 3/4  
VIEW FROM 3 PORT SIDE

|     |     |          |   |
|-----|-----|----------|---|
| 17  | 2   | V-212    | SCREW, #2 X 3/16 DRIVE, TYPE U, OVAL HEAD, STAINLESS STEEL                    |
| 16  | 1   | AN-114   | NAMEPLATE, BLANK, FOR VALVES WITH SPRINGS OR DETENTS                          |
| 15  | 1   | V-19     | PLUG, SOCKET PIPE 1/8" NPT (#601-3 PITTSBURG PLUG PART #.)                    |
| 14  | 1   | EMG3     | GASKET - END MOUNT SOLENOID, BUNA-N, 1/4" & 3/8" VALVES                       |
| 13  | 1   | V-562    | NUT, SOLENOID, SIDE EXHAUST   |
| 12  | 1   | V-551-1  | THERMOPLASTIC ENCAPSULATED COIL 120V 50/60HZ, NASS P/N # 108-030-0455         |
| 11  | 4   | V-584    | SCREW, 10-24 X 1, BUTTON HEAD SOCKET CAP WITH MICROSPHERE APPLIED TO THREADS. |
| 10  | 1   | SEC3-7   | PLATE, RE-INFORCEMENT, SOLENOID, STAMPED, 304 STAINLESS                       |
| 9   | 1   | V-599-1  | SOL OPER, END MOUNT, LOCKING O'RIDE   |
| 8   | 1   | SSA48-1E | ADAPTOR, END MNT SOLENOID, 1/2", 3/4" & 1" VALVE                              |
| 7   | 1   | S8       | SPOOL - STANDARD, 2 POS, CLSD CTR, 3/4" & 1" VALVE                            |
| 6   | 1   | CS8      | SPRING - RETURN, 3/4" & 1" VALVES   |
| 5   | 1   | PEC48-3  | END CAP, VENTED, 380 AL, 1/2", 3/4" & 1" VALVES                               |
| 4   | 8   | V-46     | SCREW, 1/4-20 X 3/4, SOCKET HEAD CAP  |
| 3   | 2   | ECG48    | GASKET - END CAP, 1/2", 3/4" & 1" VALVE                                       |
| 2   | 6   | V-30     | O-RING, BUNA-N, 70 DURO, AS-220, (REF 1-3/8 X 1-5/8 X 1/8), 3/4" & 1" VALVES  |
| 1   | 1   | B8-1     | BODY, 1" SIDE PORT, UPPER PILOTS, ANODIZED                                    |
| FLG | QTY | PART NO  | DESCRIPTION   |



| COIL VOLTAGES |              |
|---------------|--------------|
| PART NO       | REPLACE COIL |
| ES080C 240/60 | V-551-4      |
| ES080C 24VDC  | V-551-3      |
| ES080C 12VDC  | V-551-2      |

|  |  |  |  |  |
|--|--|--|--|--|
| LIMITS ON DIMENSIONS UNLESS OTHERWISE SPECIFIED  |  | 2-PL DECIMAL ± .01<br>3-PL DECIMAL ± .005<br>FRACTIONAL ± 1/64<br>ANGULAR ± 1/2° |  | <b>AAA PRODUCTS INTERNATIONAL</b><br>7114 Harry Hines Blvd<br>Dallas, TX 75235 |
| DRAWN: RMckenna  |  | DATE: 3/31/2017  |  |  |
| SCALE: 1 : 1   |  | SHEET: 1 OF 1  |  | CHECKED: KWaite<br>DATE: 3/31/2017   |
| TITLE:<br><b>1" SIDE PORT, SNGL SOL, 2 POS,<br/>         SPRING RETURN, 120/60,<br/>         LCKNG OVRD, SIDE VENT</b>               |  |  |  | PART NO.:<br><b>ES080C</b>   |
| THE INFORMATION CONTAINED WITHIN THIS DOCUMENT IS PROPRIETARY TO AAA PRODUCTS AND MAY NOT BE DISCLOSED WITHOUT PRIOR WRITTEN CONSENT |  |  |  | REV.:  |

P:\Engineering\Product Valve Assembly\Standard ISO DWG\ES080C.dwg