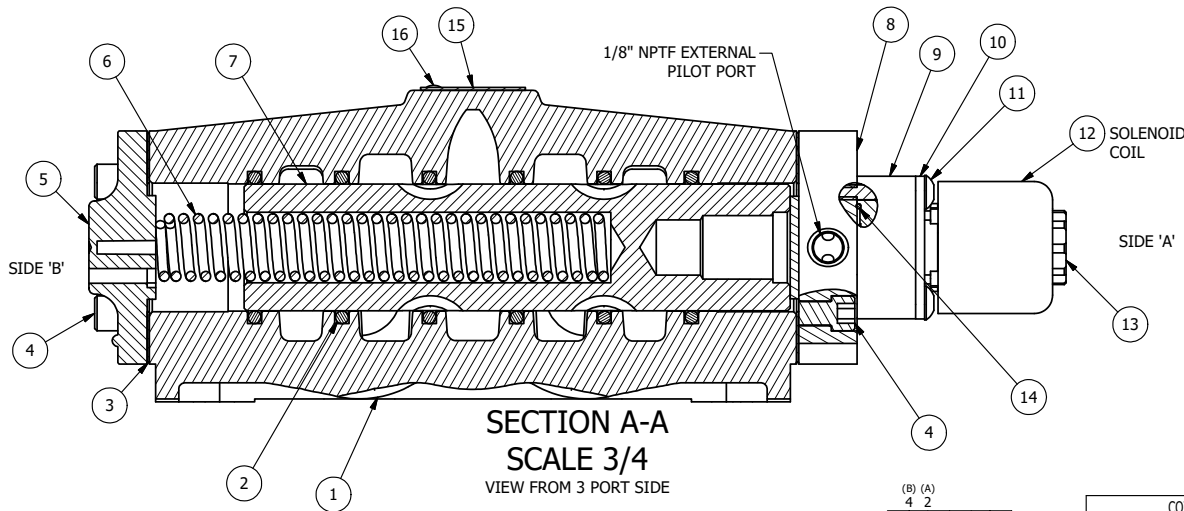


POSITION GASKET ON END OF VALVE SO GASKET COVERS PILOT HOLE, SIDE 'B' ONLY

POSITION GASKET TO SEAL PILOT HOLE, BOTH SIDES. THE ROUND ALUMINUM ADAPTOR IS ROTATED 90 DEGREES. SUPPLY 50-160 PSI TO 1/8" NPTF PILOT PORT IN ADAPTOR.

NOTES:

- 1) ALWAYS GIVE VALVE MODEL AND PART NUMBER WHEN ORDERING PARTS.
- 2) FOR DIFFERENT VOLTAGES OTHER THAN 120/60, REPLACE SOLENOID COIL WITH COIL LISTED IN TABLE BELOW.



|     |     |          |  |
|-----|-----|----------|--|
| 16  | 2   | V-212    | SCREW, #2 X 3/16 DRIVE, TYPE U, OVAL HEAD, STAINLESS STEEL                       |
| 15  | 1   | AN-114   | NAMEPLATE, BLANK, FOR VALVES WITH SPRINGS OR DETENTS                             |
| 14  | 1   | EMG3     | GASKET - END MOUNT SOLENOID, BUNA-N, 1/4" & 3/8" VALVES                          |
| 13  | 1   | V-556    | NUT, SOLENOID, TOP EXHAUST, KNURLED  |
| 12  | 1   | V-593-1  | COIL - 120VAC EXP PROOF, 1/2" NPTF STAINLESS CONNECTION, NASS #0568 05.1-00/6874 |
| 11  | 4   | V-584    | SCREW, 10-24 X 1, BUTTON HEAD SOCKET CAP WITH MICROSPHERE APPLIED TO THREADS.    |
| 10  | 1   | SEC3-7   | PLATE, RE-INFORCEMENT, SOLENOID, STAMPED, 304 STAINLESS                          |
| 9   | 1   | V-550-1  | SOL OPER, END MOUNT, NON-LOCKING O'RIDE  |
| 8   | 1   | SSA48-1E | ADAPTOR, END MNT SOLENOID, 1/2", 3/4" & 1" VALVE                                 |
| 7   | 1   | S8       | SPOOL - STANDARD, 2 POS, CLSD CTR, 3/4" & 1" VALVE                               |
| 6   | 1   | CS8      | SPRING - RETURN, 3/4" & 1" VALVES  |
| 5   | 1   | PEC48-3  | END CAP, VENTED, 380 AL, 1/2", 3/4" & 1" VALVES                                  |
| 4   | 8   | V-46     | SCREW, 1/4-20 X 3/4, SOCKET HEAD CAP   |
| 3   | 2   | ECG48    | GASKET - END CAP, 1/2", 3/4" & 1" VALVE  |
| 2   | 6   | V-30     | O-RING, BUNA-N, 70 DURO, AS-220, (REF 1-3/8 X 1-5/8 X 1/8), 3/4" & 1" VALVES     |
| 1   | 1   | B6-1     | BODY, 3/4" SIDE PORT, UPPER PILOTS, ANODIZED                                     |
| FLG | QTY | PART NO  | DESCRIPTION  |

LIMITS ON DIMENSIONS  
UNLESS  
OTHERWISE SPECIFIED

2-PL DECIMAL ± .01  
3-PL DECIMAL ± .005  
FRACTIONAL ± 1/64  
ANGULAR ± 1/2°



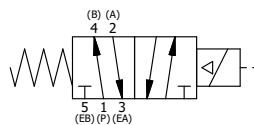
DRAWN: RMckenna DATE: 5/31/2016

CHECKED: KWaite DATE: 6/1/2016

SCALE: 1 : 1 SHEET: 1 OF 1

RELEASED: HWomack DATE: 6/1/2016

| COIL VOLTAGES |              |
|---------------|--------------|
| PART NO       | REPLACE COIL |
| ESO6XZ 12VDC  | V-593-2      |
| ESO6XZ 24VDC  | V-593-3      |
| ESO6XZ 240/60 | V-593-4      |



TITLE:  
**3/4" SIDE PORT, SNGL SOL, 2 POS,  
SPRING RTRN, EXPLOSION PROOF,  
120/60, EXT PILOT**

PART NO.:  
**ESO6XZ**

REV.: