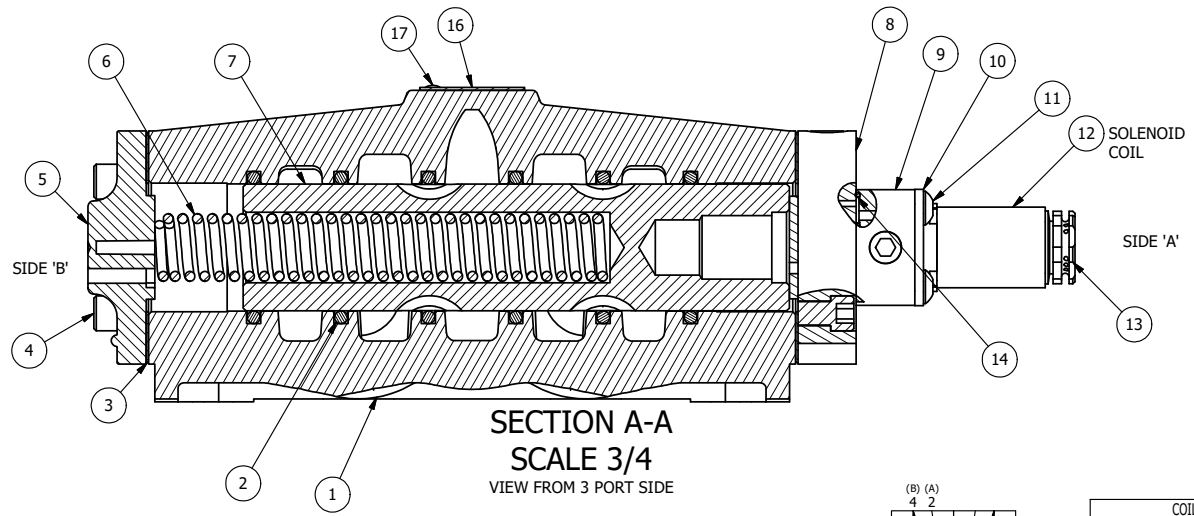


POSITION GASKET ON END OF VALVE SO GASKET COVERS PILOT HOLE, SIDE 'B' ONLY

ALIGN PILOT AND HOLE IN GASKET, SIDE 'A' ONLY FOR EXTERNAL PILOT OPERATION - ROTATE THE ROUND ALUMINUM ADAPTOR 180 DEGREES. REMOVE 1/8\"/>

NOTES:

- 1) ALWAYS GIVE VALVE MODEL AND PART NUMBER WHEN ORDERING PARTS.
- 2) FOR DIFFERENT VOLTAGES OTHER THAN 120/60, REPLACE SOLENOID COIL WITH COIL LISTED IN TABLE BELOW.



SECTION A-A  
SCALE 3/4  
VIEW FROM 3 PORT SIDE

|     |     |          |   |
|-----|-----|----------|---|
| 17  | 2   | V-212    | SCREW, #2 X 3/16 DRIVE, TYPE U, OVAL HEAD, STAINLESS STEEL                    |
| 16  | 1   | AN-114   | NAMEPLATE, BLANK, FOR VALVES WITH SPRINGS OR DETENTS                          |
| 15  | 1   | V-19     | PLUG, SOCKET PIPE 1/8\"/>   |
| 14  | 1   | EMG3     | GASKET - END MOUNT SOLENOID, BUNA-N, 1/4\"/>                                  |
| 13  | 1   | V-562    | NUT, SOLENOID, SIDE EXHAUST   |
| 12  | 1   | V-569-1  | SYSTEM 8 COIL 120 50/60.NASS # 0561 38.1 00/4984.                             |
| 11  | 4   | V-584    | SCREW, 10-24 X 1, BUTTON HEAD SOCKET CAP WITH MICROSPHERE APPLIED TO THREADS. |
| 10  | 1   | SEC3-7   | PLATE, RE-INFORCEMENT, SOLENOID, STAMPED, 304 STAINLESS                       |
| 9   | 1   | V-599-1  | SOL OPER, END MOUNT, LOCKING O'RIDE   |
| 8   | 1   | SSA48-1E | ADAPTOR, END MNT SOLENOID, 1/2\", 3/4\"/>                                     |
| 7   | 1   | S8       | SPOOL - STANDARD, 2 POS, CLSD CTR, 3/4\"/>                                    |
| 6   | 1   | CS8      | SPRING - RETURN, 3/4\"/>  |
| 5   | 1   | PEC48-3  | END CAP, VENTED, 380 AL, 1/2\", 3/4\"/>                                       |
| 4   | 8   | V-46     | SCREW, 1/4-20 X 3/4, SOCKET HEAD CAP  |
| 3   | 2   | ECG48    | GASKET - END CAP, 1/2\", 3/4\"/>  |
| 2   | 6   | V-30     | O-RING, BUNA-N, 70 DURO, AS-220, (REF 1-3/8 X 1-5/8 X 1/8), 3/4\"/>           |
| 1   | 1   | B6-1     | BODY, 3/4\"/>   |
| FLG | QTY | PART NO  | DESCRIPTION   |

LIMITS ON DIMENSIONS  
UNLESS OTHERWISE SPECIFIED

2-PL DECIMAL ± .01  
3-PL DECIMAL ± .005  
FRACTIONAL ± 1/64  
ANGULAR ± 1/2°



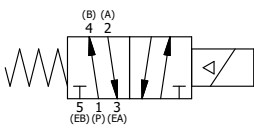
DRAWN: RMckenna DATE: 4/9/2017

CHECKED: KWaite DATE: 4/9/2017

SCALE: 1 : 1 SHEET: 1 OF 1

RELEASED: HWomack DATE: 4/9/2017

| COIL VOLTAGES  |              |
|----------------|--------------|
| PART NO        | REPLACE COIL |
| ESO6MOC 240/60 | V-569-4      |
| ESO6MOC 24VDC  | V-569-3      |
| ESO6MOC 12VDC  | V-569-2      |



TITLE:  
3/4\"/>

PART NO.:  
ESO6MOC

THE INFORMATION CONTAINED WITHIN THIS DOCUMENT IS PROPRIETARY TO AAA PRODUCTS AND MAY NOT BE DISCLOSED WITHOUT PRIOR WRITTEN CONSENT

P:\Engineering\Product Valve Assembly\Standard ISO DWG\ESO6MOC.dwg