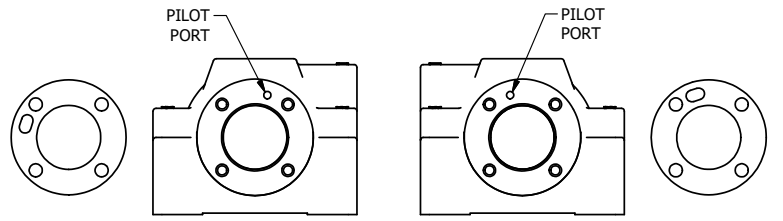
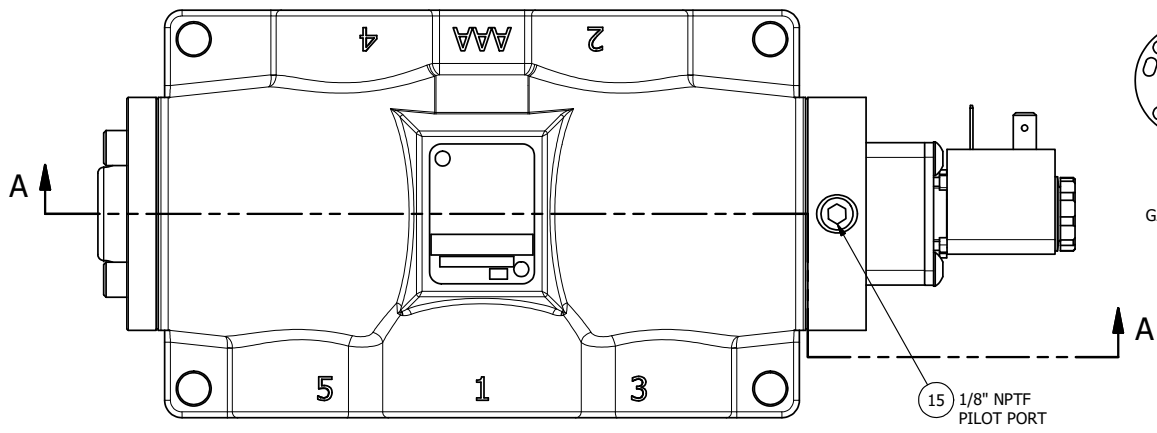


4 3 2 1

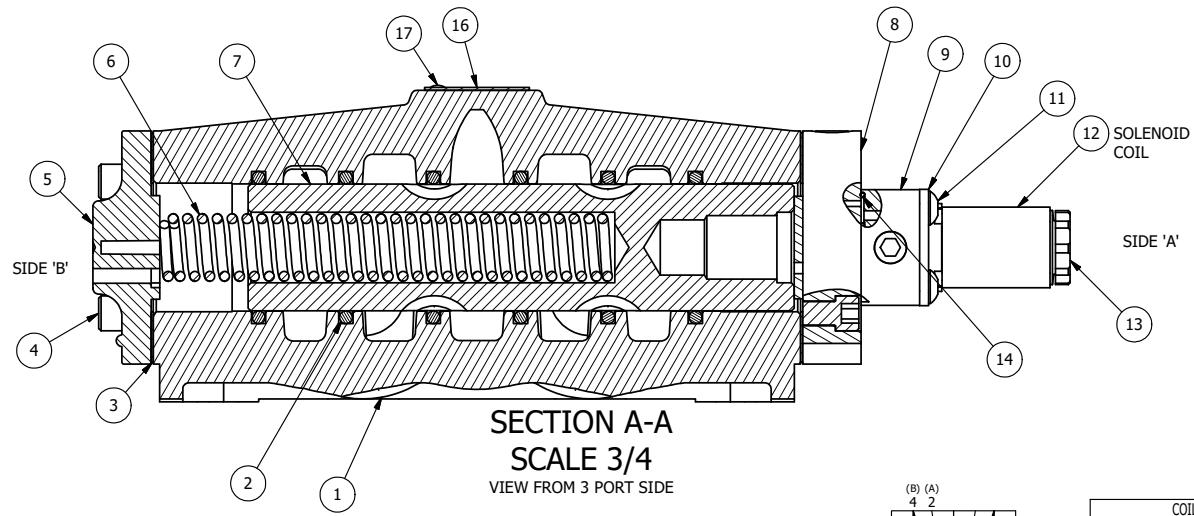


POSITION GASKET ON END OF VALVE SO GASKET COVERS PILOT HOLE, SIDE 'B' ONLY

ALIGN PILOT AND HOLE IN GASKET, SIDE 'A' ONLY FOR EXTERNAL PILOT OPERATION - ROTATE THE ROUND ALUMINUM ADAPTOR 180 DEGREES. REMOVE 1/8\"/>

NOTES:

- 1) ALWAYS GIVE VALVE MODEL AND PART NUMBER WHEN ORDERING PARTS.
- 2) FOR DIFFERENT VOLTAGES OTHER THAN 120/60, REPLACE SOLENOID COIL WITH COIL LISTED IN TABLE BELOW.



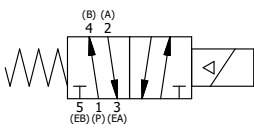
17	2	V-212	SCREW, #2 X 3/16 DRIVE, TYPE U, OVAL HEAD, STAINLESS STEEL
16	1	AN-114	NAMEPLATE, BLANK, FOR VALVES WITH SPRINGS OR DETENTS
15	1	V-19	PLUG, SOCKET PIPE 1/8\"/>
14	1	EMG3	GASKET - END MOUNT SOLENOID, BUNA-N, 1/4\"/>
13	1	V-556	NUT, SOLENOID, TOP EXHAUST, KNURLED
12	1	V-551-1	THERMOPLASTIC ENCAPSULATED COIL 120V 50/60HZ, NASS P/N # 108-030-0455
11	4	V-584	SCREW, 10-24 X 1, BUTTON HEAD SOCKET CAP WITH MICROSPHERE APPLIED TO THREADS.
10	1	SEC3-7	PLATE, RE-INFORCEMENT, SOLENOID, STAMPED, 304 STAINLESS
9	1	V-550-1	SOL OPER, END MOUNT, NON-LOCKING O'RIDE
8	1	SSA48-1E	ADAPTOR, END MNT SOLENOID, 1/2\", 3/4\"/>
7	1	S8	SPOOL - STANDARD, 2 POS, CLSD CTR, 3/4\"/>
6	1	CS8	SPRING - RETURN, 3/4\"/>
5	1	PEC48-3	END CAP, VENTED, 380 AL, 1/2\", 3/4\"/>
4	8	V-46	SCREW, 1/4-20 X 3/4, SOCKET HEAD CAP
3	2	ECG48	GASKET - END CAP, 1/2\", 3/4\"/>
2	6	V-30	O-RING, BUNA-N, 70 DURO, AS-220, (REF 1-3/8 X 1-5/8 X 1/8), 3/4\"/>
1	1	B6-1	BODY, 3/4\"/>
FLG	QTY	PART NO	DESCRIPTION

LIMITS ON DIMENSIONS UNLESS OTHERWISE SPECIFIED
 2-PL DECIMAL ± .01
 3-PL DECIMAL ± .005
 FRACTIONAL ± 1/64
 ANGULAR ± 1/2°



DRAWN: RHuffstetter DATE: 7/10/2001 CHECKED: KWaite DATE: 6/1/2015
 SCALE: 1 : 1 SHEET: 1 OF 1 RELEASED: HWomack DATE: 6/1/2015

COIL VOLTAGES	
PART NO	REPLACE COIL
ESO6 240/60	V-551-4
ESO6 24VDC	V-551-3
ESO6 12VDC	V-551-2



TITLE: 3/4\"/>	PART NO.: ESO6	REV.: A
-------------------	-------------------	------------

A	5/13/03	ADDED SOLENOID SUPPORT PLATE, CHANGED SOL MNT SCREW FROM V-35-VT
NO.	DATE	REVISION

4 3 2 1

THE INFORMATION CONTAINED WITHIN THIS DOCUMENT IS PROPRIETARY TO AAA PRODUCTS AND MAY NOT BE DISCLOSED WITHOUT PRIOR WRITTEN CONSENT

P:\Engineering\Product Valve Assembly\Standard ISO DWG\ESO6.dwg