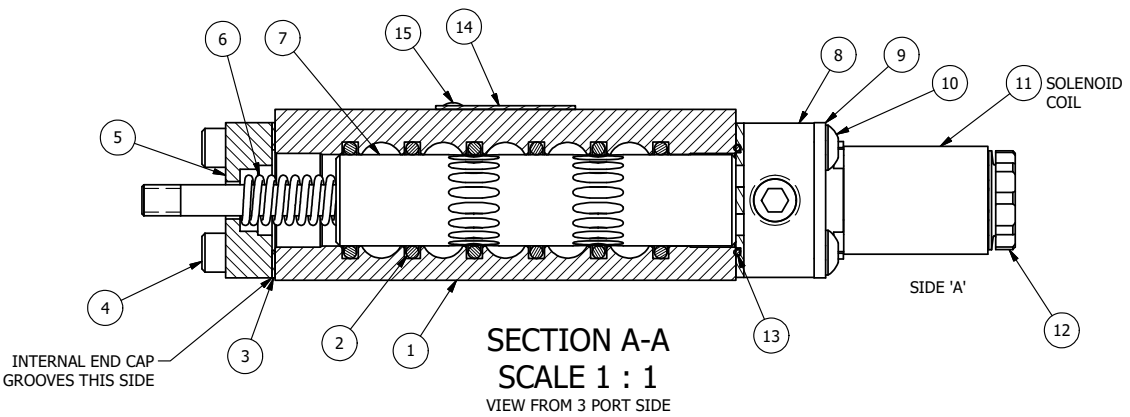
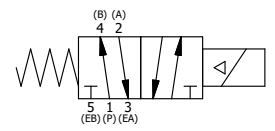


NOTES:
 1) ALWAYS GIVE VALVE MODEL AND PART NUMBER WHEN ORDERING PARTS.
 2) FOR DIFFERENT VOLTAGES OTHER THAN 120/60, REPLACE SOLENOID COIL WITH COIL LISTED IN TABLE BELOW.



FLG	QTY	PART NO	DESCRIPTION
15	2	V-212	SCREW, #2 X 3/16 DRIVE, TYPE U, OVAL HEAD, STAINLESS STEEL
14	1	AN-114	NAMEPLATE, BLANK, FOR VALVES WITH SPRINGS OR DETENTS
13	1	EMG3	GASKET - END MOUNT SOLENOID, BUNA-N, 1/4" & 3/8" VALVES
12	1	V-556	NUT, SOLENOID, TOP EXHAUST, KNURLED
11	1	V-551-1	THERMOPLASTIC ENCAPSULATED COIL 120V 50/60HZ, NASS P/N # 108-030-0455
10	4	V-584	SCREW, 10-24 X 1, BUTTON HEAD SOCKET CAP WITH MICROSPHERE APPLIED TO THREADS.
9	1	SEC3-7	PLATE, RE-INFORCEMENT, SOLENOID, STAMPED, 304 STAINLESS
8	1	V-599-1	SOL OPER, END MOUNT, LOCKING O'RIDE
7	1	AY-S3-SIK	ASSEMBLY - SPOOL INDICATOR, THREADED, 1/4" & 3/8" VALVE
6	1	CS3	SPRING - RETURN, (EXCEPT HO, KO & PO) 1/4" & 3/8" VALVES
5	1	PEC3-5	END CAP, INDICATOR PIN, WIPER CAVITY, 6061-T6, 1/4" & 3/8" VALVE
4	4	V-38	SCREW, 10-24 X 3/4, SOCKET HEAD CAP
3	1	ECG3	GASKET - END CAP, 1/4" & 3/8" VALVE
2	6	V-39	O-RING, VITON, STD BODY, 1/4" & 3/8" VALVES
1	1	B3-1E	BODY - SOLID, BUTTON BLEEDER, ANODIZED, 3/8" SIDE PORT VALVE

LIMITS ON DIMENSIONS UNLESS OTHERWISE SPECIFIED		2-PL DECIMAL ± .01 3-PL DECIMAL ± .005 FRACTIONAL ± 1/64 ANGULAR ± 1/2°		AAA PRODUCTS INTERNATIONAL 7114 Harry Hines Blvd Dallas, TX 75235										
DRAWN: RMckenna		DATE: 1/16/2019												
SCALE: 1 : 1		SHEET: 1 OF 1		CHECKED: KWaite DATE: 1/16/2019 RELEASED: HWomack DATE: 1/16/2019										
COIL VOLTAGES <table border="1"> <thead> <tr> <th>PART NO</th> <th>REPLACE COIL</th> </tr> </thead> <tbody> <tr> <td>ESO30K 12VDC</td> <td>V-551-2</td> </tr> <tr> <td>ESO30K 24VDC</td> <td>V-551-3</td> </tr> <tr> <td>ESO30K 240/60</td> <td>V-551-4</td> </tr> </tbody> </table>				PART NO	REPLACE COIL	ESO30K 12VDC	V-551-2	ESO30K 24VDC	V-551-3	ESO30K 240/60	V-551-4	TITLE: 3/8" SIDE PORT, SNGL SOL, 2 POS, SPRING RTRN, 120/60, LCKNG OVRD, THREADED INDCTR PIN	PART NO.: ESO30K	REV.:
PART NO	REPLACE COIL													
ESO30K 12VDC	V-551-2													
ESO30K 24VDC	V-551-3													
ESO30K 240/60	V-551-4													



THE INFORMATION CONTAINED WITHIN THIS DOCUMENT IS PROPRIETARY TO AAA PRODUCTS AND MAY NOT BE DISCLOSED WITHOUT PRIOR WRITTEN CONSENT

P:\Engineering\Product Valve Assembly\Standard ISO DWG\ESO30K.dwg