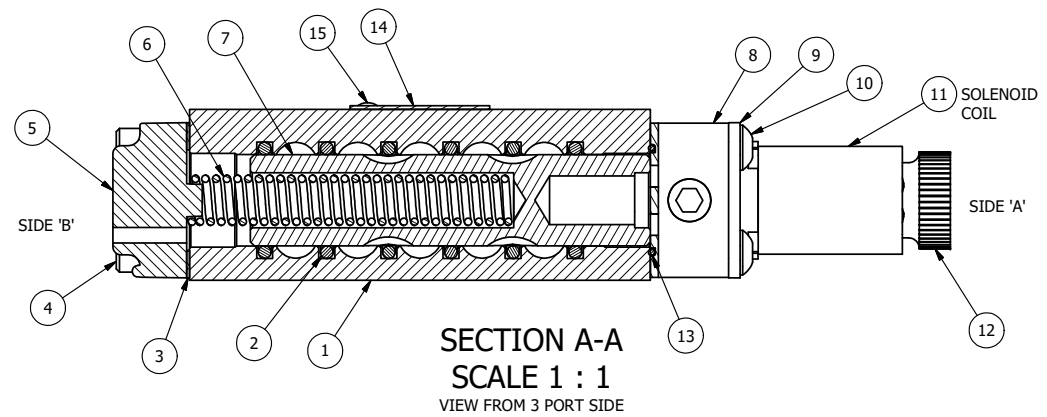


PILOT HOLE

PILOT HOLE

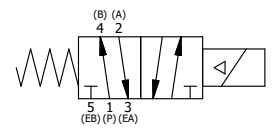
POSITION GASKET TO SEAL PILOT HOLE SIDE 'B' ONLY.

ALIGN PILOT AND SLOT IN ADAPTOR WITH GASKET IN BETWEEN SIDE 'A' ONLY FOR EXTERNAL PILOT OPERATION - ROTATE ADAPTOR 180 DEGREES. REMOVE 1/8" NPTF PLUG AND SUPPLY 50-150 PSI TO 1/8" NPTF PILOT PORT IN ADAPTOR.



| | | | |
|-----|-----|---------|---|
| 15 | 2 | V-212 | SCREW, #2 X 3/16 DRIVE, TYPE U, OVAL HEAD, STAINLESS STEEL |
| 14 | 1 | AN-114 | NAMEPLATE, BLANK, FOR VALVES WITH SPRINGS OR DETENTS |
| 13 | 1 | EMG3 | GASKET - END MOUNT SOLENOID, BUNA-N, 1/4" & 3/8" VALVES |
| 12 | 1 | V-567W | E SERIES SINTERED BRONZE MUFFLER, DUST EXCLUDER, V-613 LOCK WASHER |
| 11 | 1 | V-569-1 | SYSTEM 8 COIL 120 50/60.NASS # 0561 38.1 00/4984. |
| 10 | 4 | V-584 | SCREW, 10-24 X 1, BUTTON HEAD SOCKET CAP WITH MICROSPHERE APPLIED TO THREADS. |
| 9 | 1 | SEC3-7 | PLATE, RE-INFORCEMENT, SOLENOID, STAMPED, 304 STAINLESS |
| 8 | 1 | V-599-1 | SOL OPER, END MOUNT, LOCKING O'RIDE |
| 7 | 1 | S3 | SPOOL - STANDARD, 2 POS, CLSD CTR, 1/4" & 3/8" VALVE |
| 6 | 1 | CS3 | SPRING - RETURN, (EXCEPT HO, KO & PO) 1/4" & 3/8" VALVES |
| 5 | 1 | SEC3-A | END CAP, VENTED, SPRING BOSS, 380 AL, 1/4" & 3/8" VALVE |
| 4 | 4 | V-38 | SCREW, 10-24 X 3/4, SOCKET HEAD CAP |
| 3 | 1 | ECG3 | GASKET - END CAP, 1/4" & 3/8" VALVE |
| 2 | 6 | V-39 | O-RING, VITON, STD BODY, 1/4" & 3/8" VALVES |
| 1 | 1 | B2-1E | BODY - SOLID, BUTTON BLEEDER, ANODIZED, 1/4" SIDE PORT VALVE |
| FLG | QTY | PART NO | DESCRIPTION |

NOTES:
 1) ALWAYS GIVE VALVE MODEL AND PART NUMBER WHEN ORDERING PARTS.
 2) FOR DIFFERENT VOLTAGES OTHER THAN 120/60, REPLACE SOLENOID COIL WITH COIL LISTED IN TABLE BELOW.



| OPERATOR VOLTAGES | |
|-------------------|--------------|
| PART NO | REPLACE COIL |
| ESO2MOL 12VDC | V-569-2 |
| ESO2MOL 24VDC | V-569-3 |
| ESO2MOL 240/60 | V-569-4 |

| | | | | |
|--|-----------------|--|-----------------|--|
| LIMITS ON DIMENSIONS UNLESS OTHERWISE SPECIFIED | | 2-PL DECIMAL ± .01 3-PL DECIMAL ± .005 FRACTIONAL ± 1/64 ANGULAR ± 1/2° | | AAA PRODUCTS INTERNATIONAL 7114 Harry Hines Blvd Dallas, TX 75235 |
| DRAWN: RMckenna | DATE: 2/14/2018 | CHECKED: KWaite | DATE: 2/14/2018 | |
| SCALE: 1 : 1 | SHEET: 1 OF 1 | RELEASED: HWomack | DATE: 2/14/2018 | |
| TITLE: 1/4" SIDE PORT, SNGL SOL, 2 POS, SPR RTRN, FLYING LEAD, 120/60, LCKNG OVRD, DUST EXCLDR | | | PART NO.: | REV.: |
| | | | ESO2MOL | |

THE INFORMATION CONTAINED WITHIN THIS DOCUMENT IS PROPRIETARY TO AAA PRODUCTS AND MAY NOT BE DISCLOSED WITHOUT PRIOR WRITTEN CONSENT

P:\Engineering\Product Valve Assembly\Standard ISO\DWG\ESO2MOL.dwg